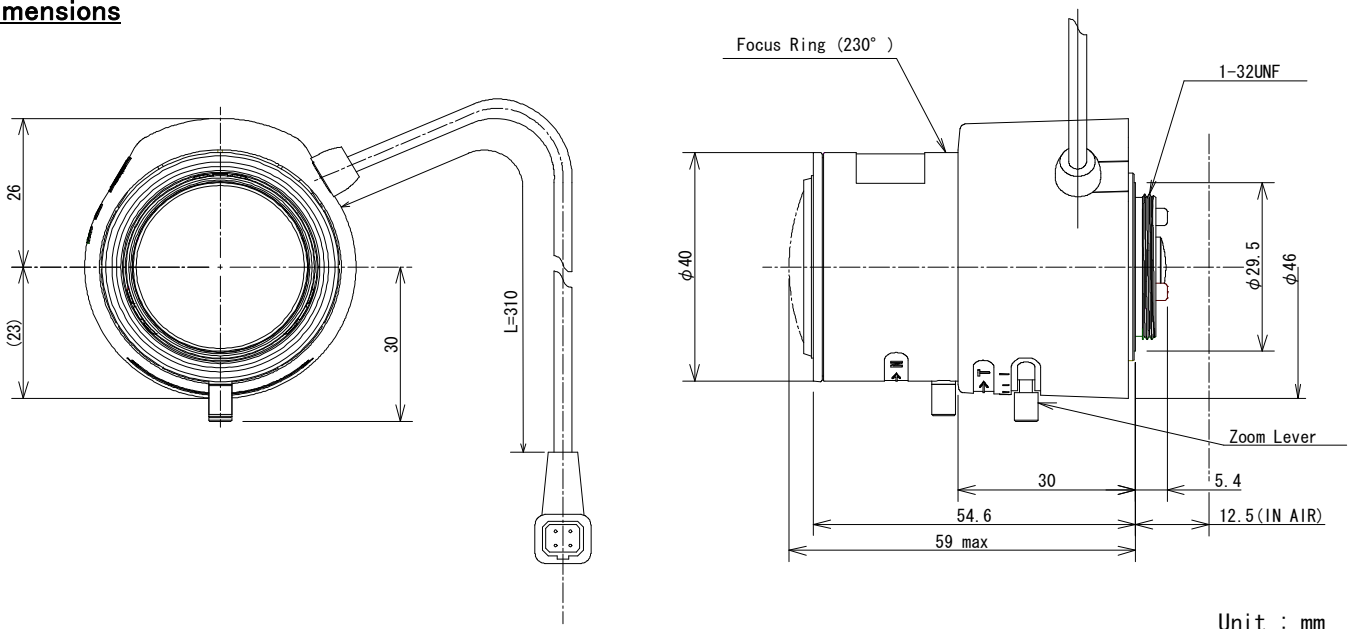


# AG4Z2812FCS-MPIR

**4X 2.8mm-10mm F1.2 Day & Night**  
**for 1/2.7 type Megapixel Cameras, Vari-focal Auto Iris DC Drive**  
**CS-Mount**

Model No.		AG4Z2812FCS-MPIR		Effective	Front	$\phi$ 27.0mm	
Focal Length		2.8mm - 10mm		Lens Aperture	Rear	$\phi$ 9.7mm	
Max. Aperture Ratio		1:1.2		Back Focal Length	Tele	7.3mm	
Max. Image Format		3.2mm x 5.8mm ( $\phi$ 6.6mm)			Wide	7.3mm	
Operation Range	Iris	F1.2 - F360C		Flange Back Length		12.5mm	
	Focus	0.5m - Inf.		Mount		CS-Mount	
	Zoom	2.8mm - 10mm		Filter Size		-	
Control	Iris	DC Auto Iris		Dimensions		$\phi$ 40 mm x 49 mm x 59 mm	
	Focus	Manual		Weight		66g	
	Zoom	Manual					
Angle of View	D	1/2.7 type	154.0° - 39.0°	1/3 type	133.5° - 35.5°	1/4 type	94.1° - 26.6°
	H		127.6° - 34.3°		101.3° - 28.4°		73.7° - 21.3°
	V		65.0° - 18.9°		73.7° - 21.3°		54.4° - 16.0°
Coil	Drive	190 $\Omega$ / 20°C					
	Control	855 $\Omega$ / 20°C					
Operating Temperature		-10°C - +50°C					

**Dimensions**



Unit : mm

**Wiring Diagram**

