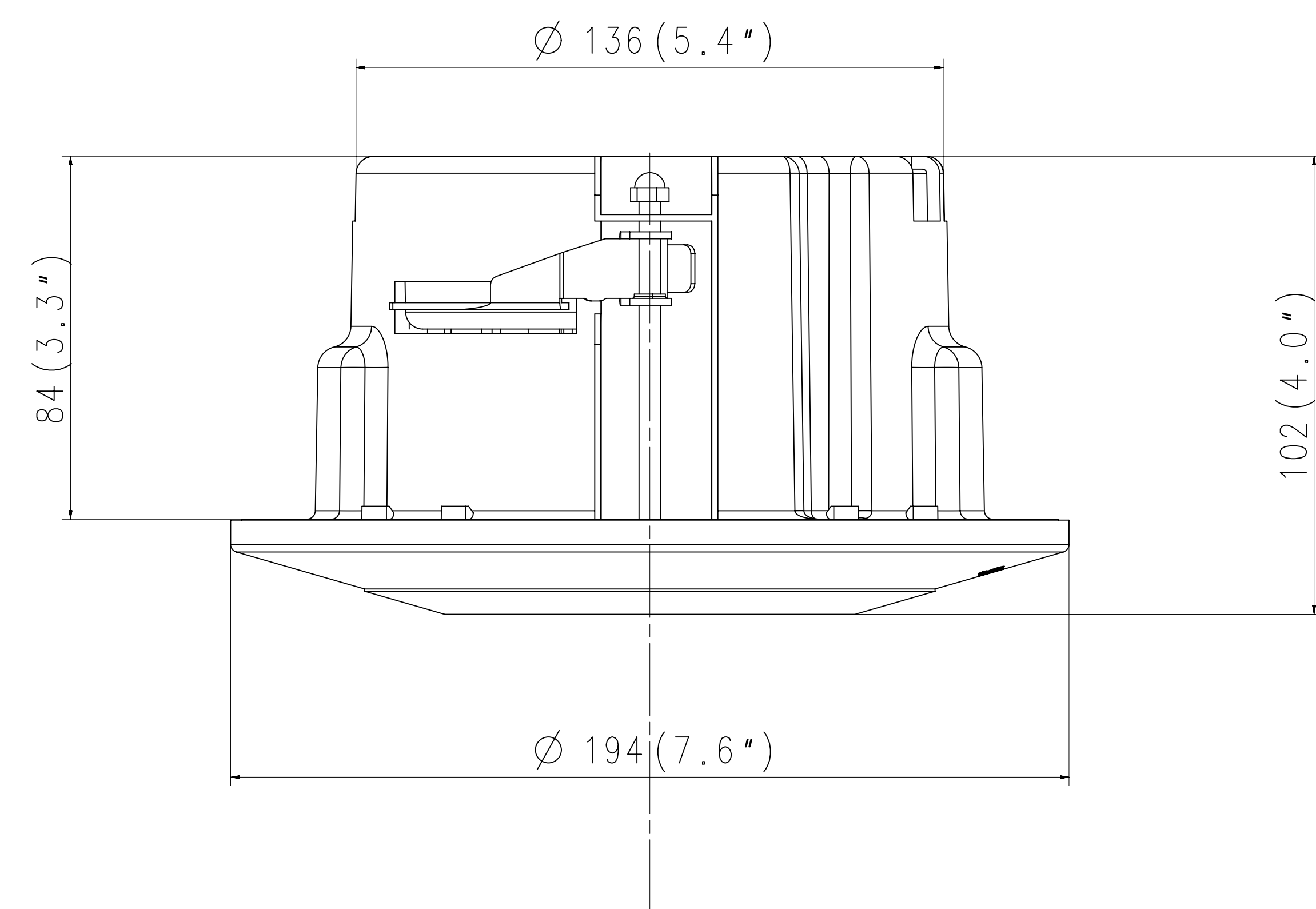


SHD-3000F2 Appearance Drawing



Unit : mm(inch)

