

1

2

3

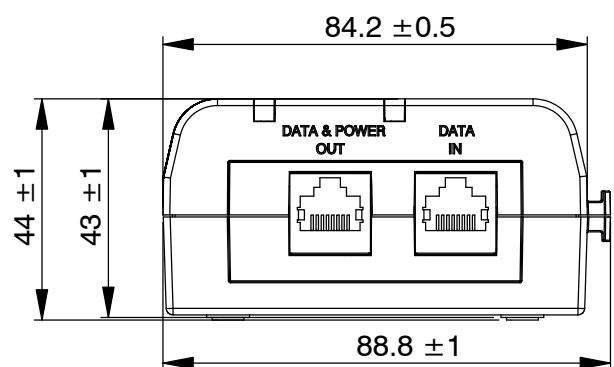
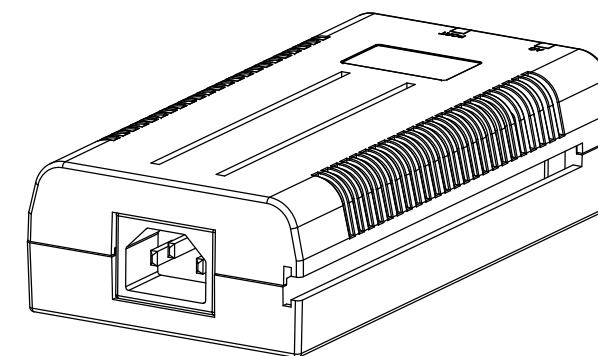
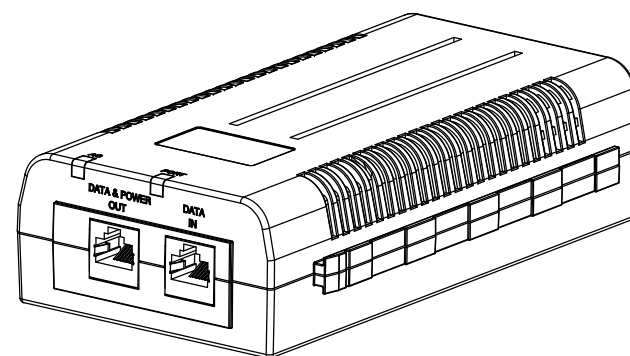
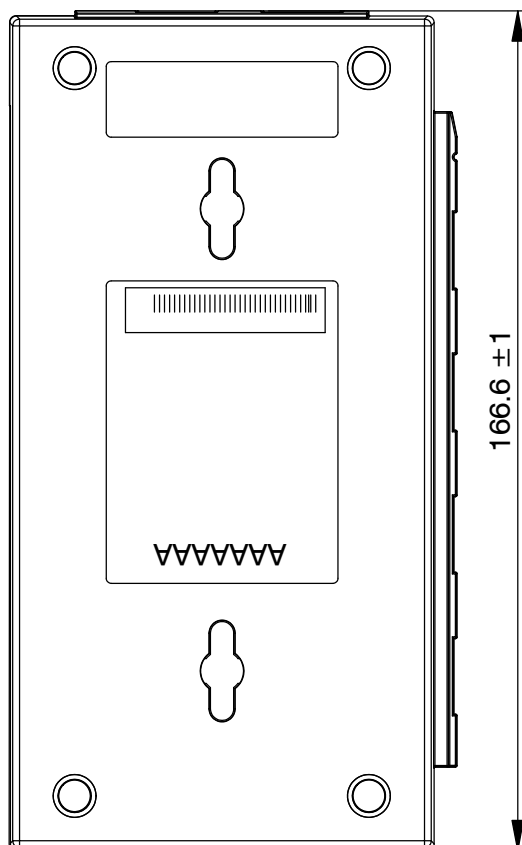
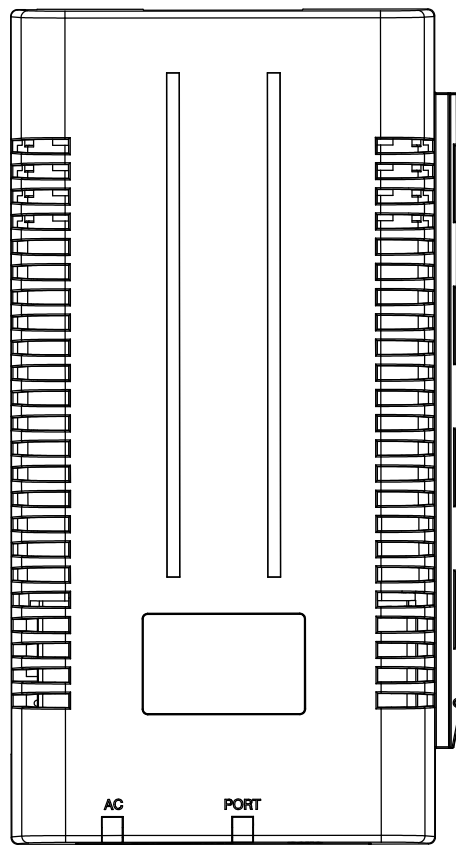
4

5

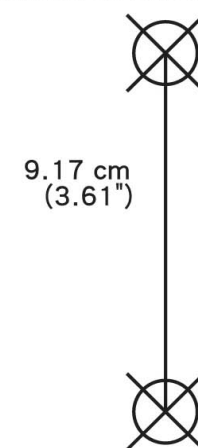
6

TOP VIEW

BOTTOM VIEW



Screw/Nail Positions (fastened to wall or shelf)

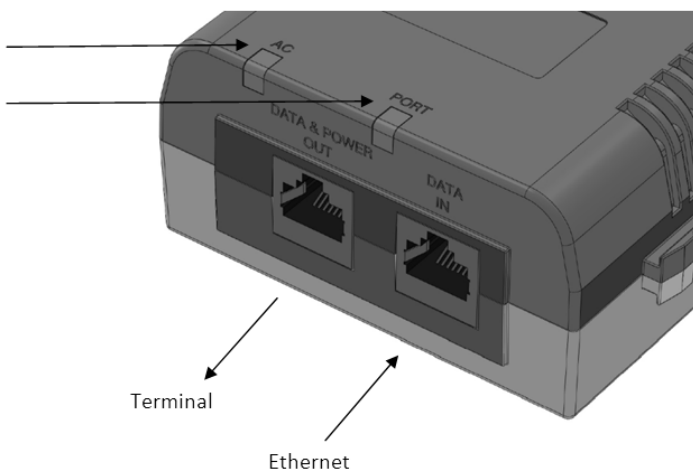


Screw/Nail Dimensions

Maximum		Minimum	
7.0 mm	2.0 mm clearance from surface	5.8 mm	1.5 mm clearance from surface
3.0 mm	2.5 mm clearance from surface		
0.27"	0.08" clearance from surface	0.23"	0.059" clearance from surface
0.12"	0.098" clearance from surface		

Mounting Screw Specifications

AC Input Connectivity Indicator  
Port Connectivity Indicator

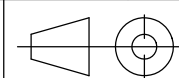


UNLESS OTHERWISE SPECIFIED ALL DIMENSIONS ARE IN MM.

DO NOT SCALE DRAWING

LINEAR	±	MM	DRAWN				
HOLE	+	MM	DESIGN				
BETWEEN HOLES	±	MM	CHECK.				
ANGULAR	±	°	PROJCT				
DRAFTANGLE/SIDE	°	Max.	MANGR				
BURR & FLASH	°	Max.					

BREAK SHARP CORNERS & SHARP EDGES



SCALE NONE SHEET 1 OF 1 A3



TITLE PART No. PD-9601G/AC

1

2

3

4

5

6