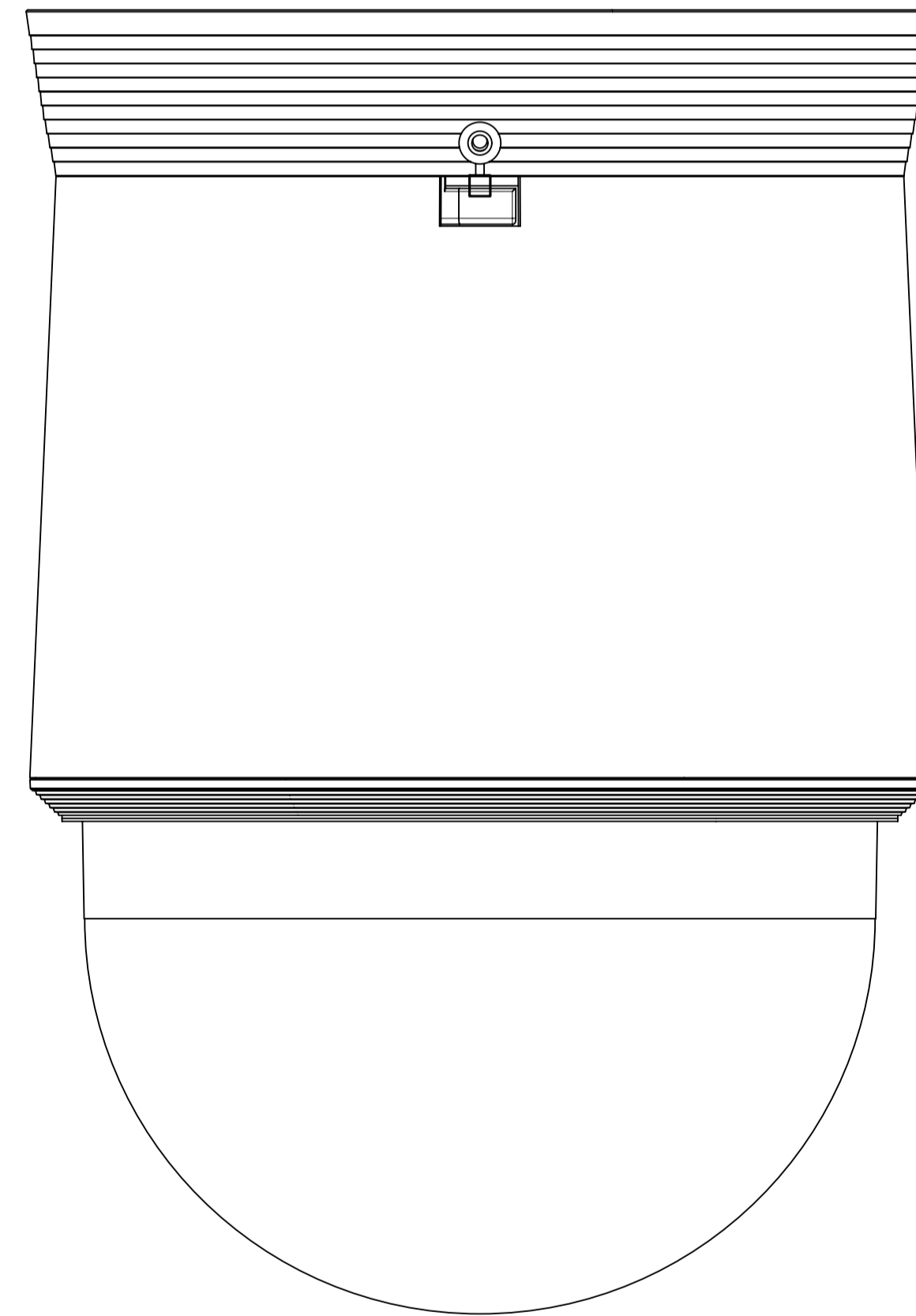
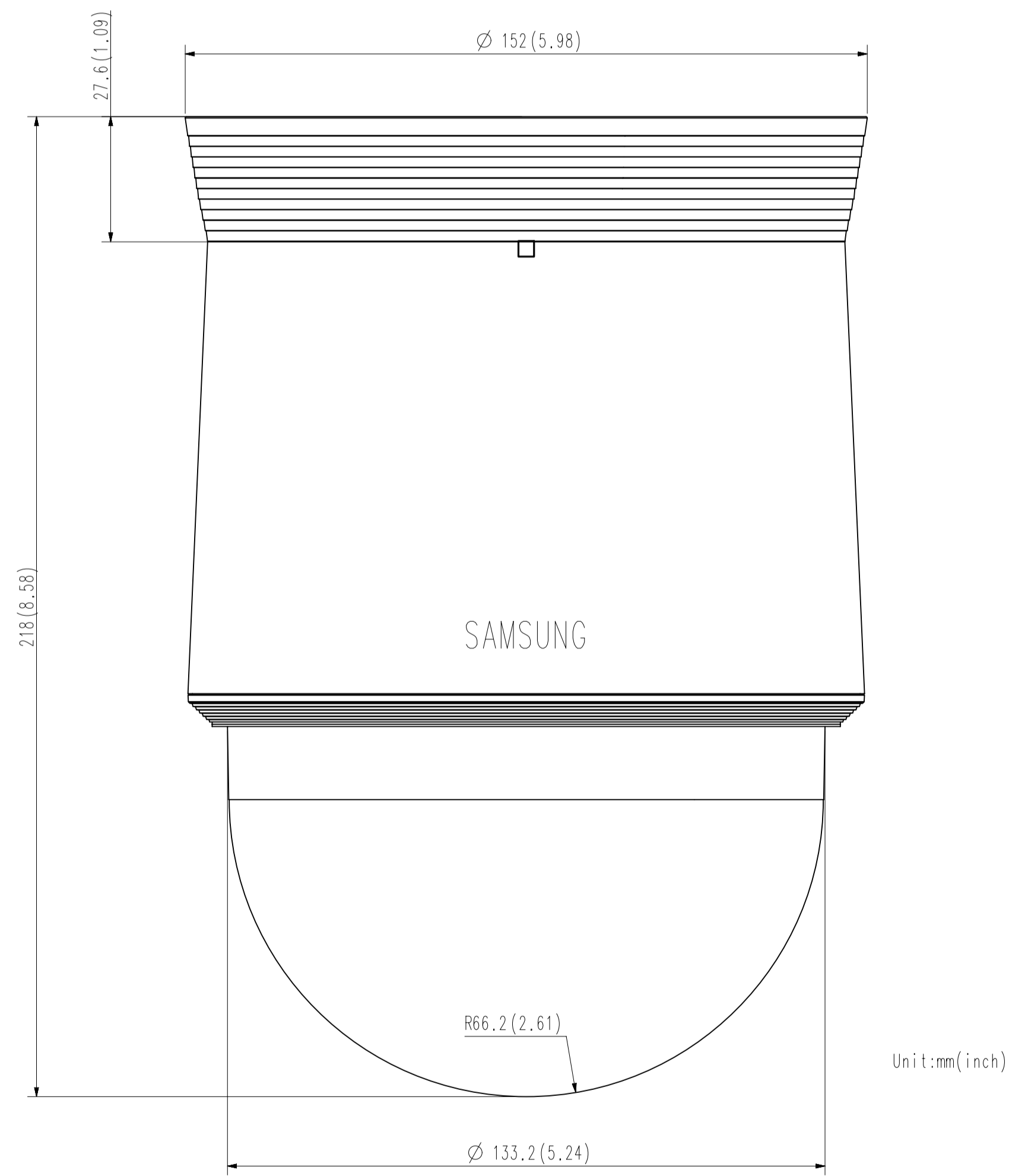
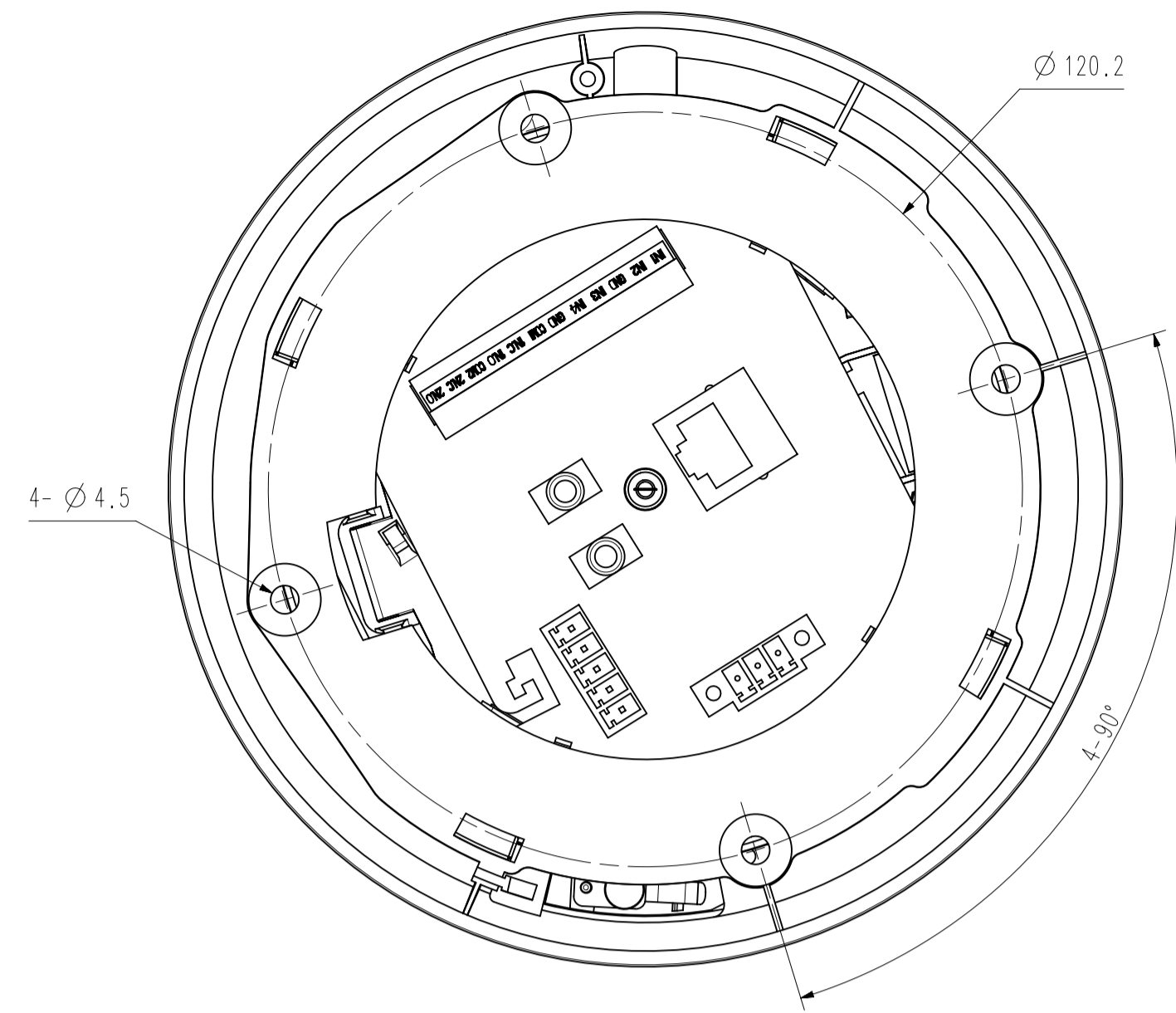


NO	PART NAME	CODE NO.	MATERIAL	Q'TY	REMARK
1	SNP-6321 TOTAL ASSY				REMARK



AI
CHANGE

UNIT	mm	DESIGN	CHECK	APPROVAL	PART NAME	SNP-6321 TOTAL ASSY
SCALE	1/1	Design	Check	Approval	MODEL NAME	SNP-6321
					CODE NO.	-

© Hanwha Techwin