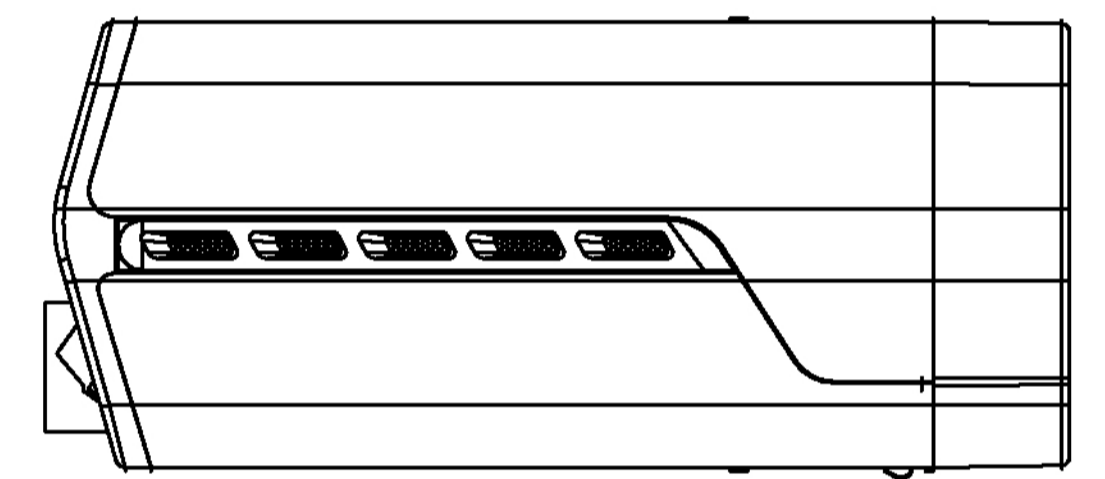
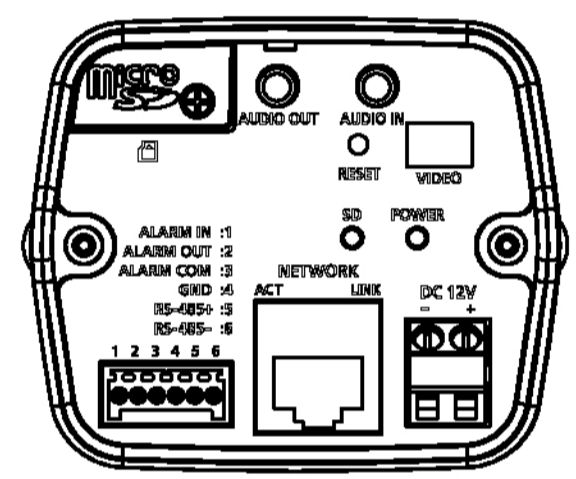
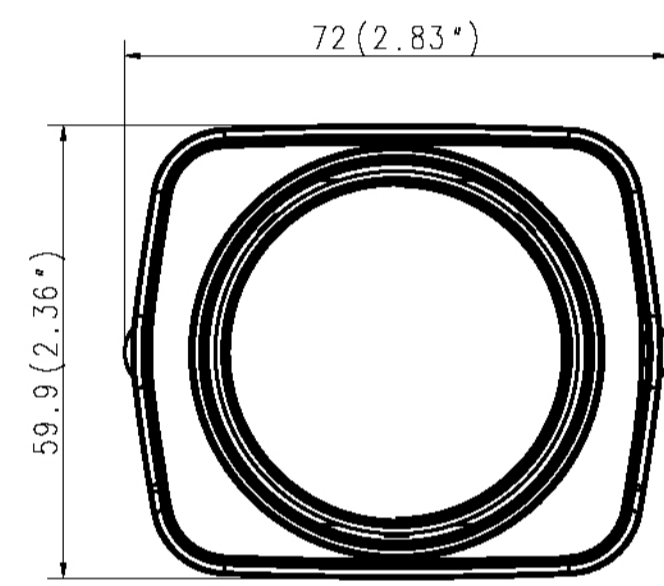
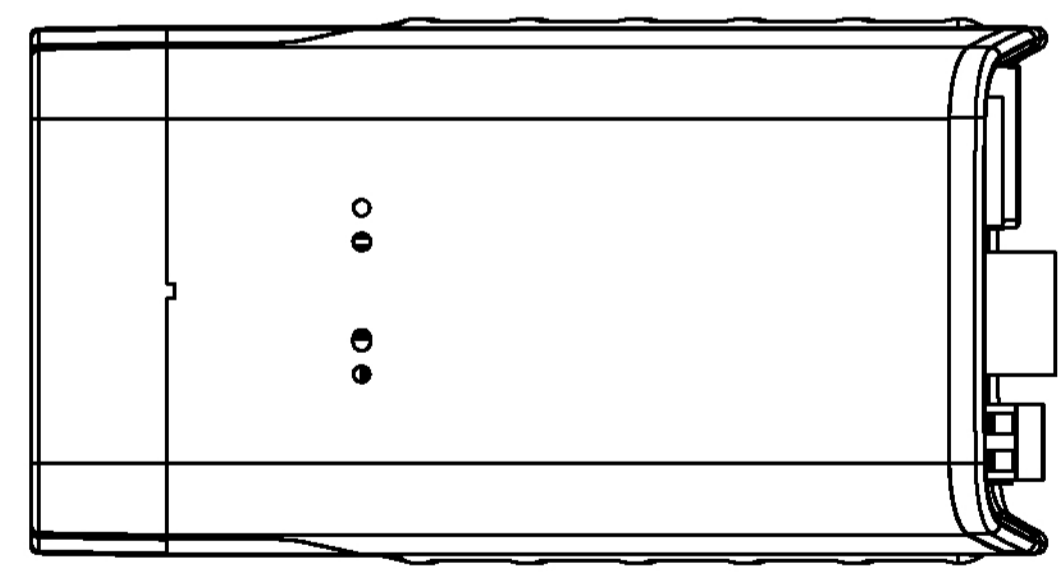
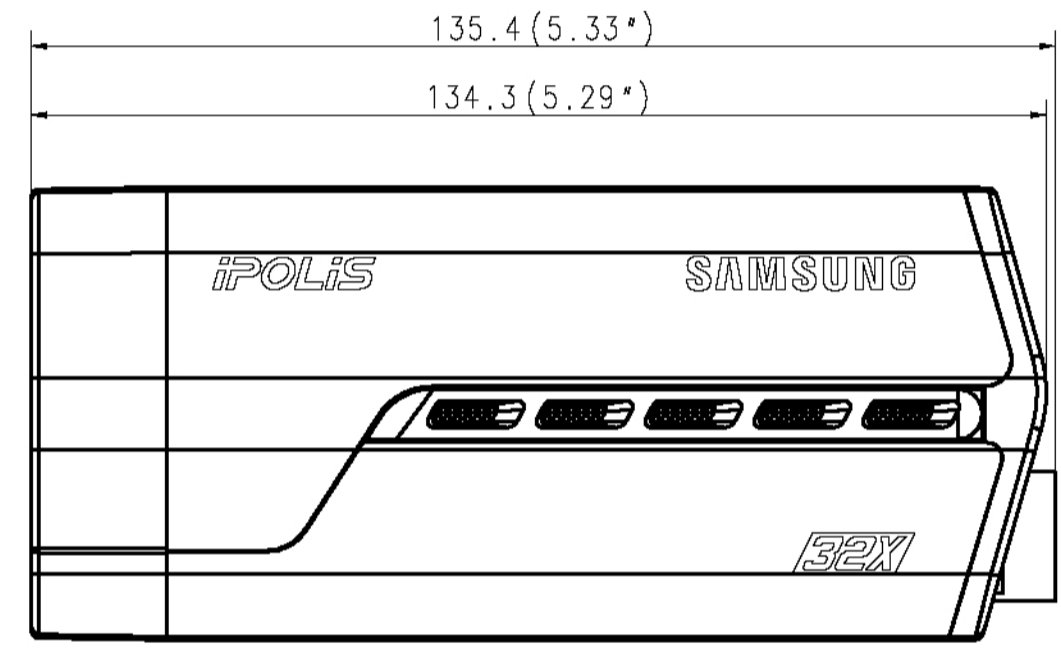
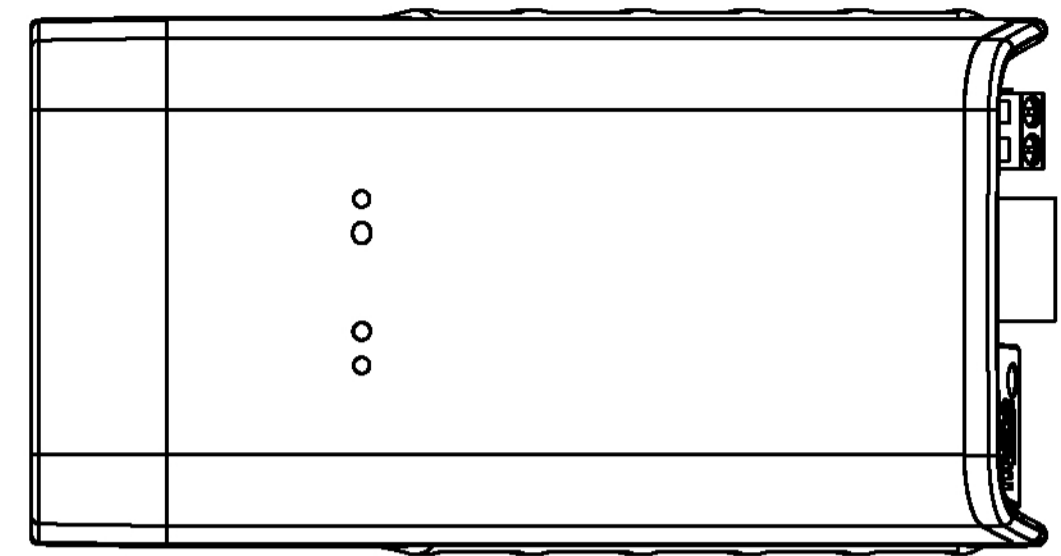


| NO | PART NAME | CODE NO. | MATERIAL | Q'TY | REMARK |
|----|-----------------------|----------|----------|------|--------|
| 1 | FINAL_ASSY_HCZ-6320KN | 014581 | MATERIAL | 1 | REMARK |



STANDARD TOLERANCE

| DIV | Lvl 1 | Lvl 2 | Lvl 3 | Lvl 4 | Lvl 5 |
|----------|-------|-------|-------|-------|-------|
| 0-16 | ±0.05 | ±0.1 | ±0.1 | ±0.2 | ±0.3 |
| 16-63 | ±0.05 | ±0.1 | ±0.2 | ±0.3 | ±0.4 |
| 63-250 | ±0.1 | ±0.2 | ±0.3 | ±0.4 | ±0.4 |
| 250-1000 | ±0.2 | ±0.3 | ±0.4 | ±0.6 | ±0.6 |

CHANGE

| UNIT | mm | DESIGN | CHECK | APPROVAL | PART NAME | APPERANCE_SNZ_HCZ-6320KN |
|-------|-------|-----------------|----------|----------|------------|--------------------------|
| SCALE | 1 / 1 | 작성자 | 검도자 | 승인자 | MODEL NAME | MODEL NAME |
| | | 12.09.14 | 12.09.14 | 12.09.14 | CODE NO. | 014581 |
| | | SAMSUNG TECHWIN | | | | |