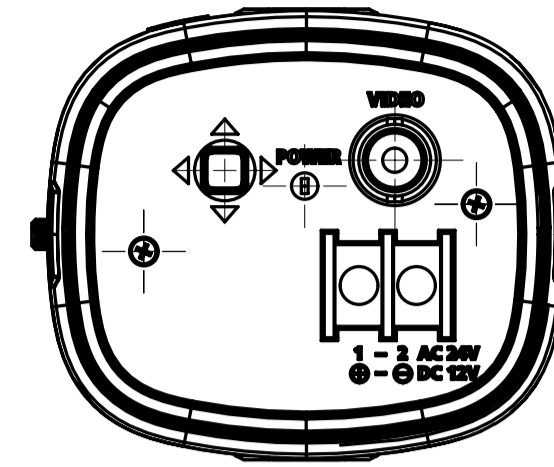
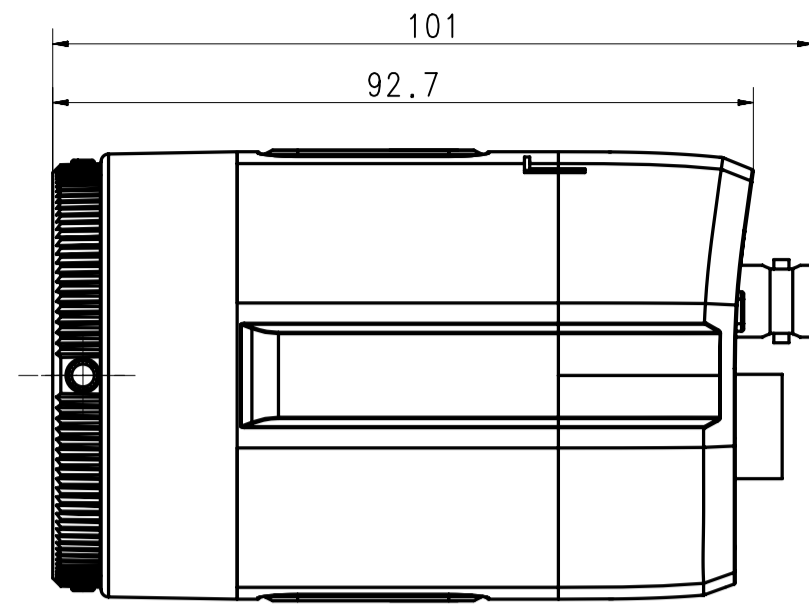
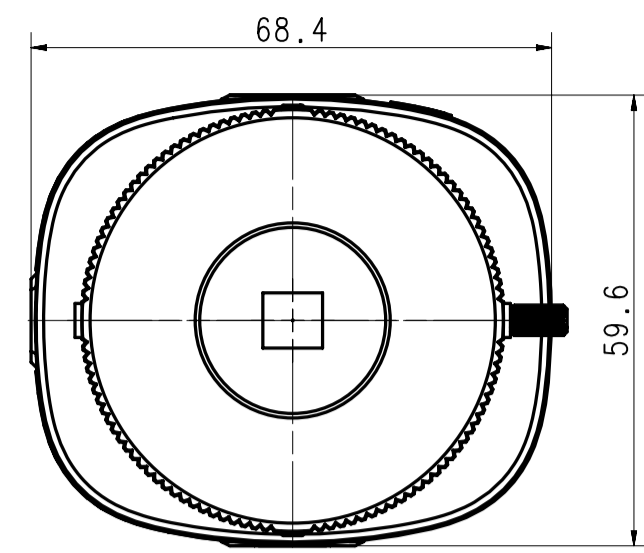
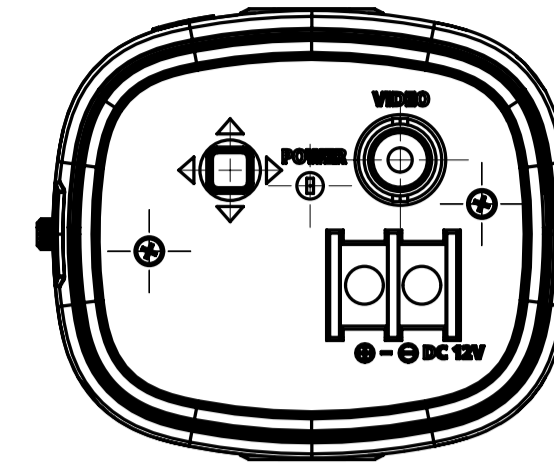


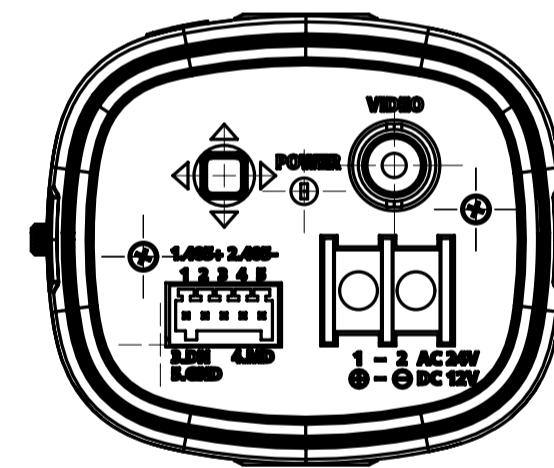
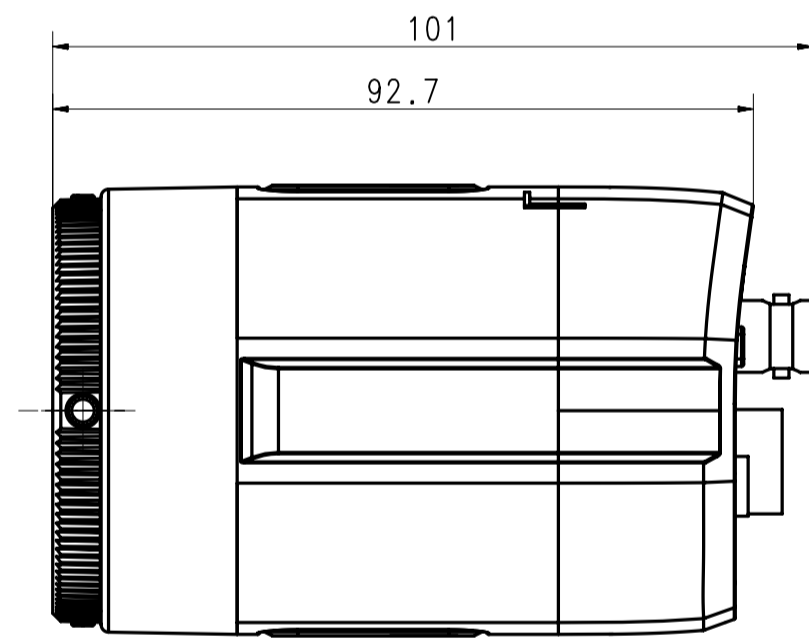
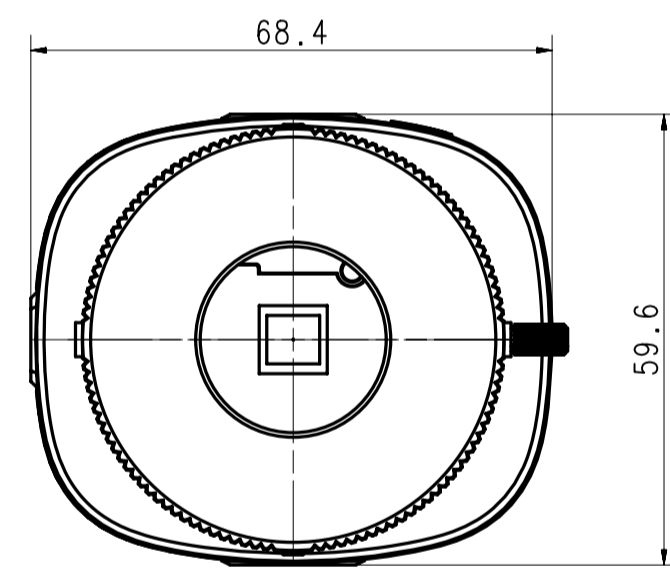
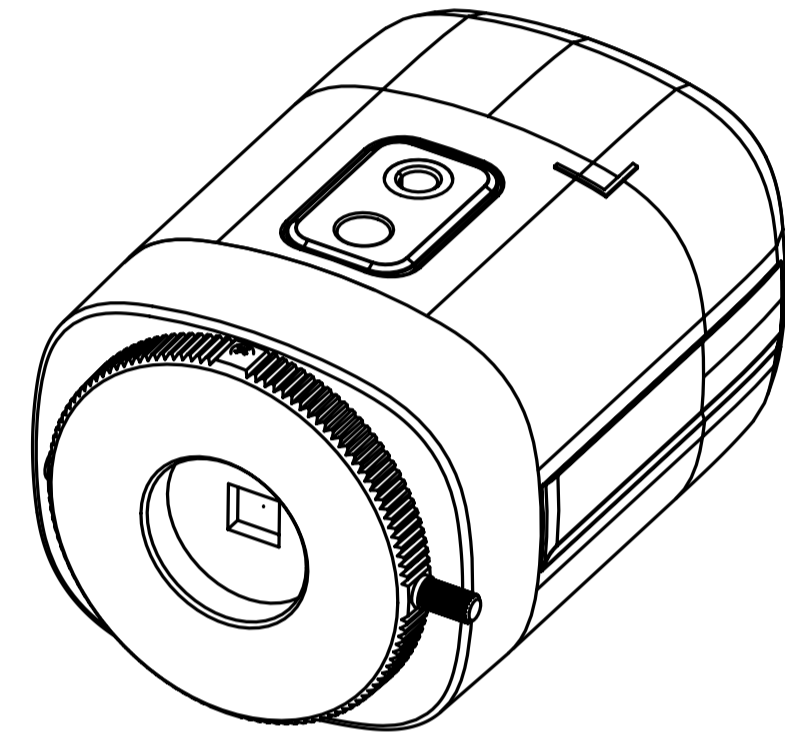
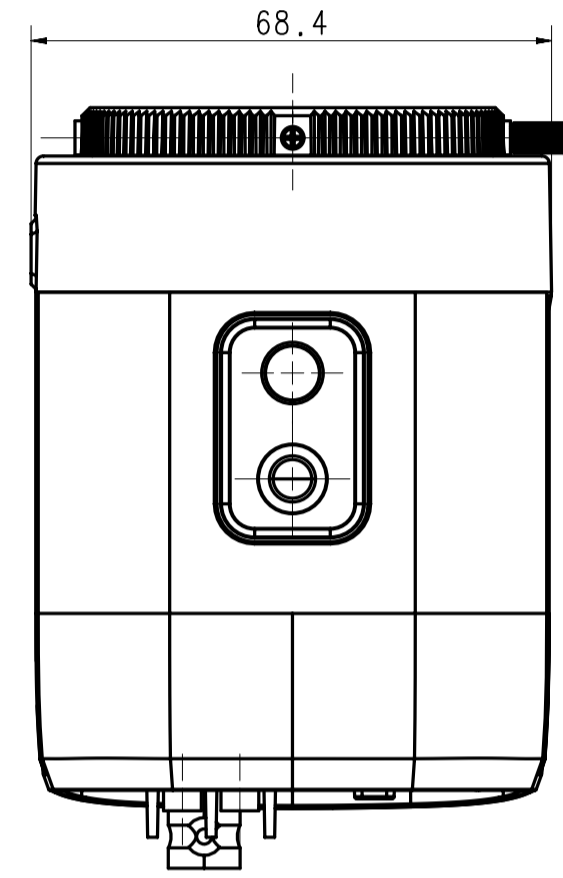
NO	PART NAME	CODE NO.	MATERIAL	Q'TY	REMARK
1	1BD_SCB_5000_2ND	012002	MATERIAL	1	REMARK



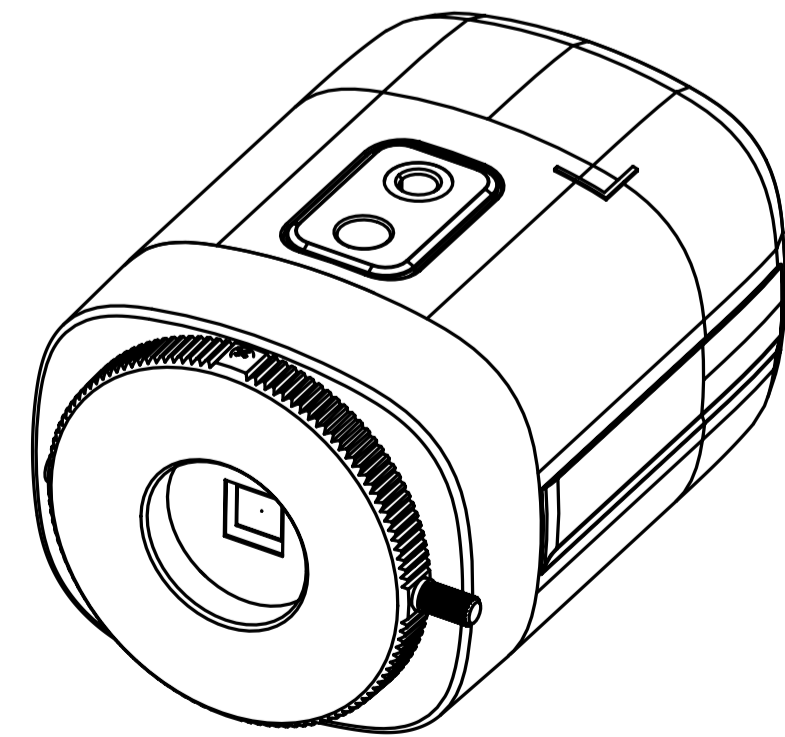
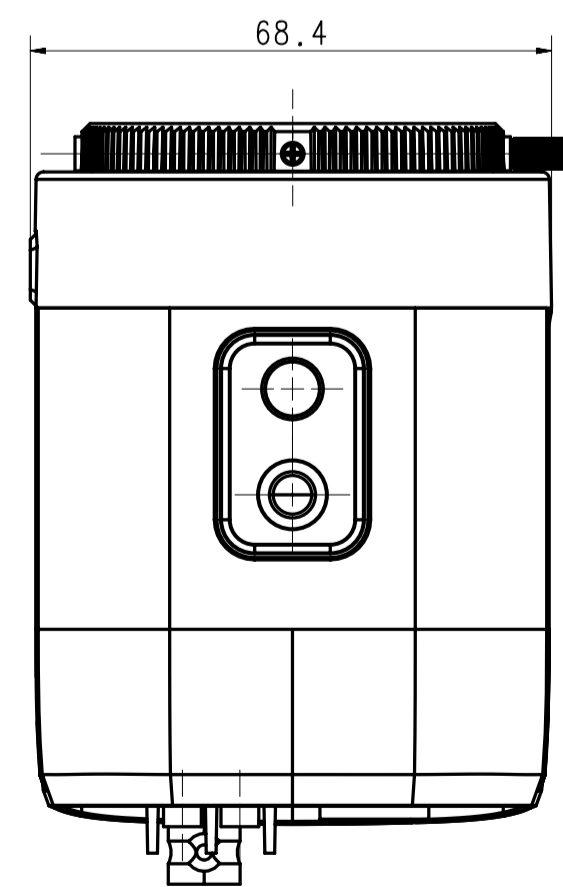
SCB-5000



SCB-5000D



SCB-5003



UNIT	mm	DESIGN	CHECK	APPROVAL	PART NAME	1BD_SCB_5000_2ND
SCALE	1/1	작성자	검도자	승인자	MODEL NAME	MODEL NAME
		12.09.14	12.09.14	12.09.14		
SAMSUNG TECHWIN					CODE NO.	012002

CHANGE
1