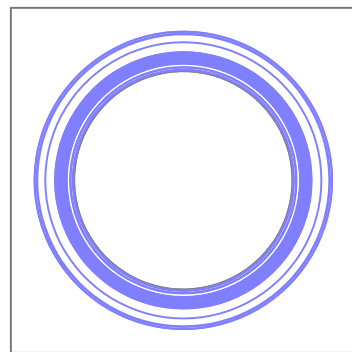
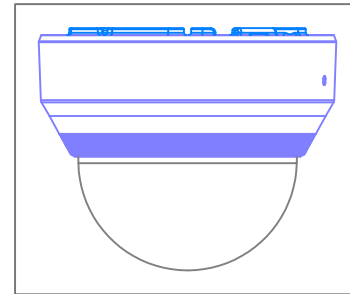
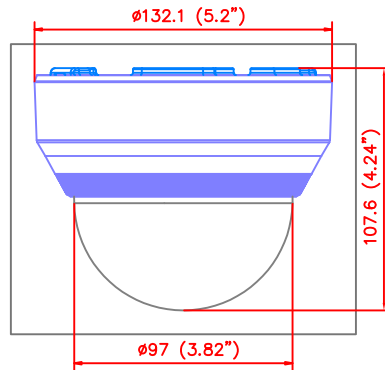
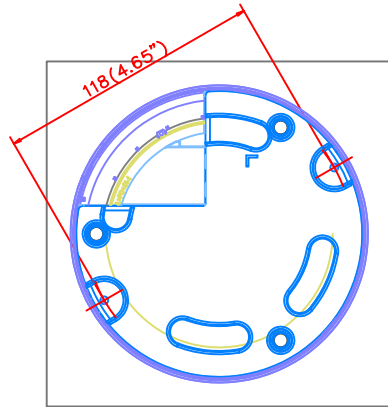


NO	PART NAME	CODE NO.	MATERIAL	Q'TY	REMARK
1	ASSY_FINAL_SCD-6081	003324	MATERIAL	1	REMARK



Unit : mm (inch)

CHANGE

UNIT	mm	DESIGN	CHECK	APPROVAL	PART NAME	ASSY_FINAL_SCD-6081
SCALE	1/1				MODEL NAME	MODEL NAME
SAMSUNG TECHWIN					CODE NO.	