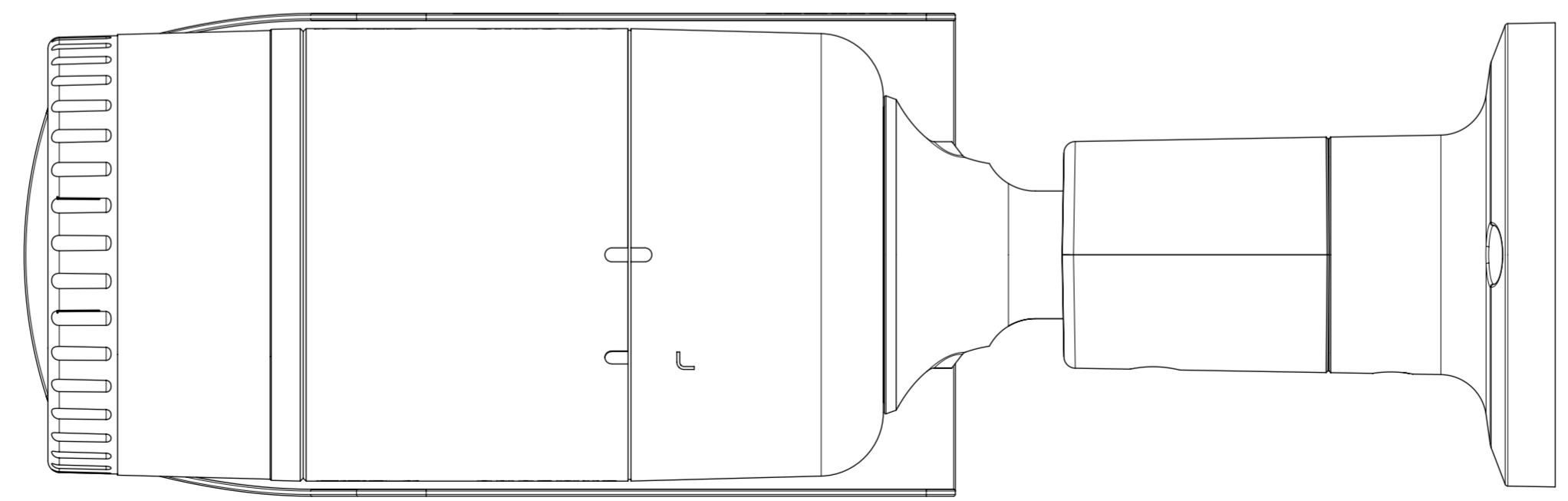
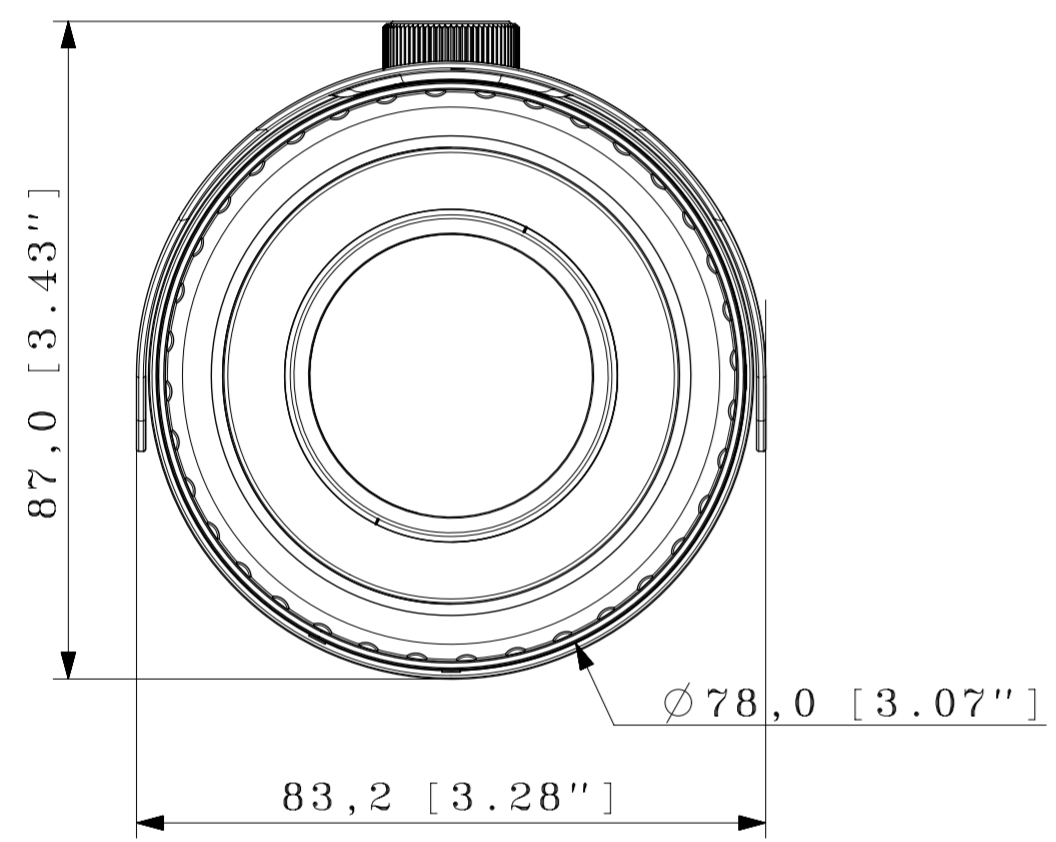
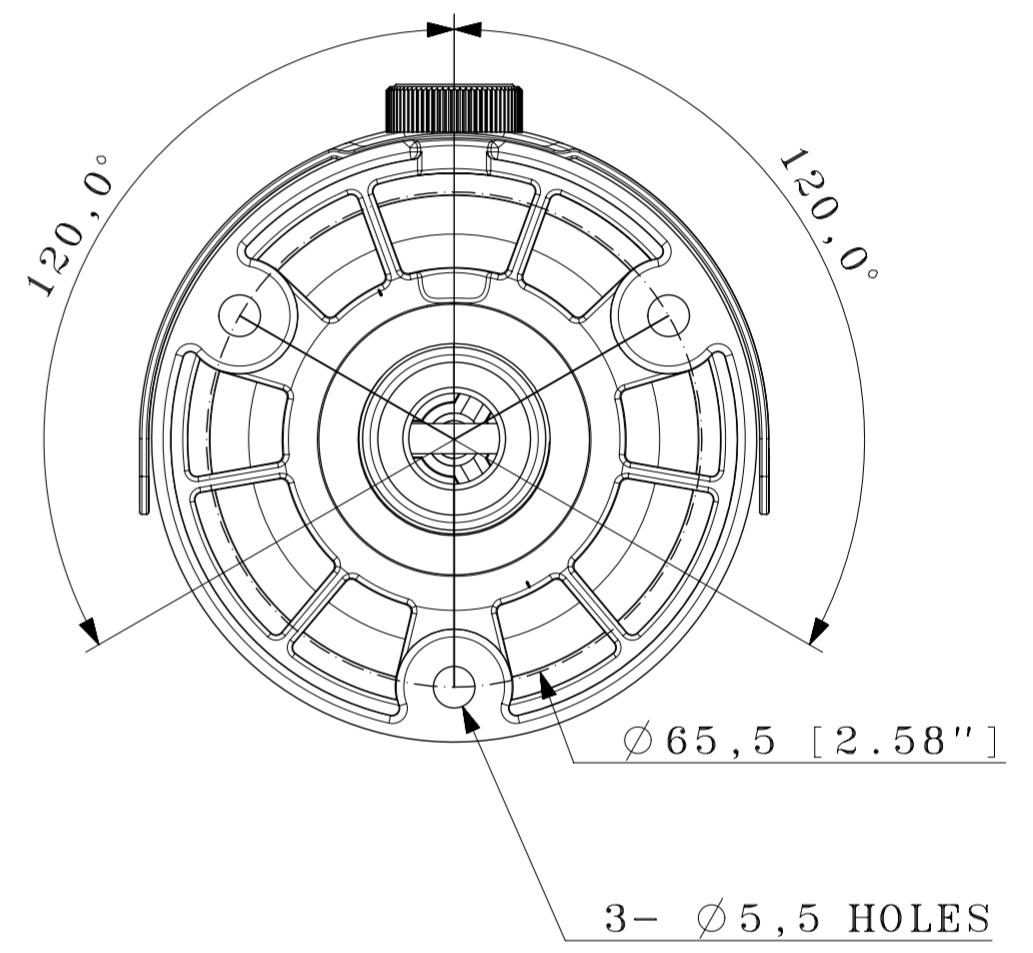
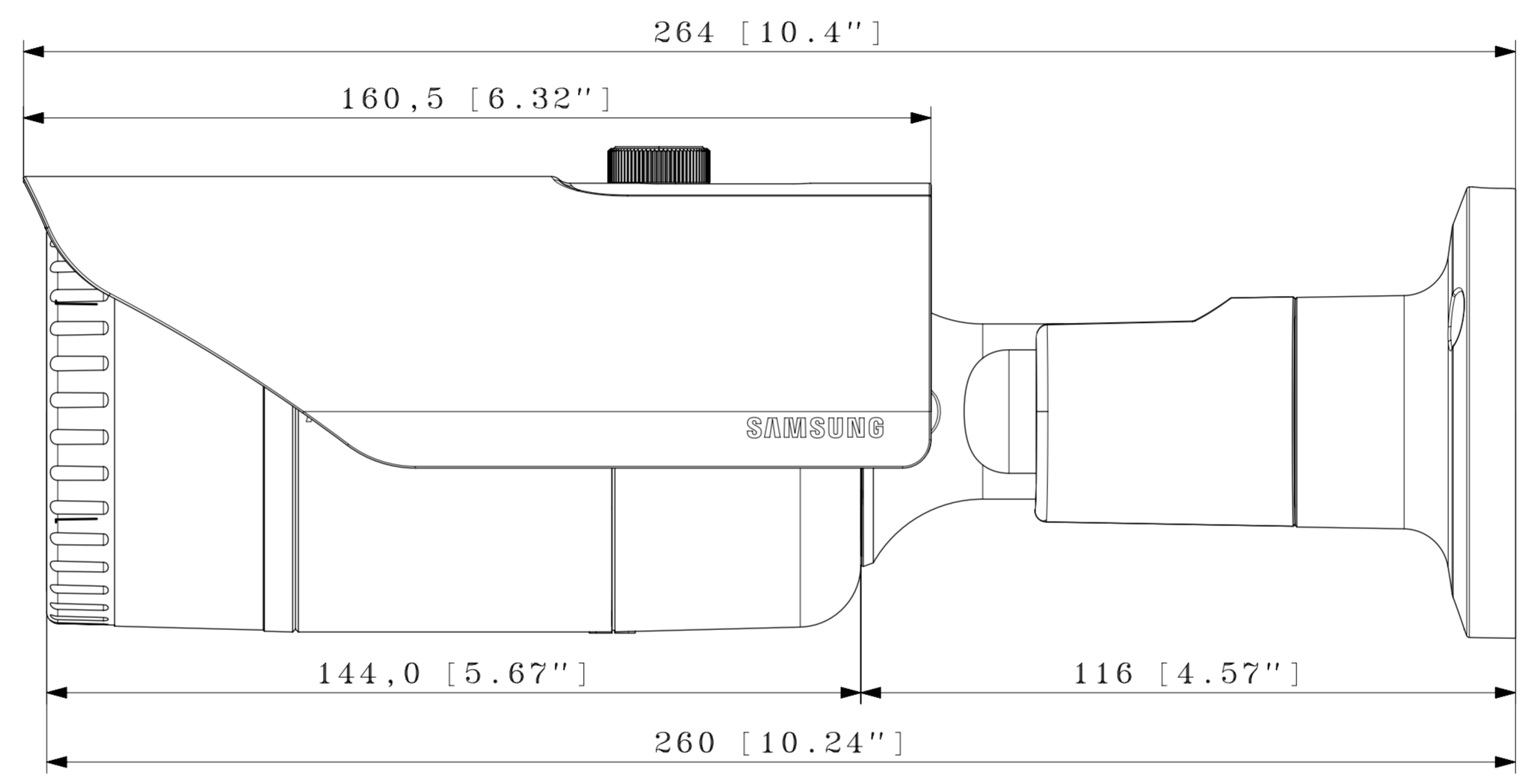
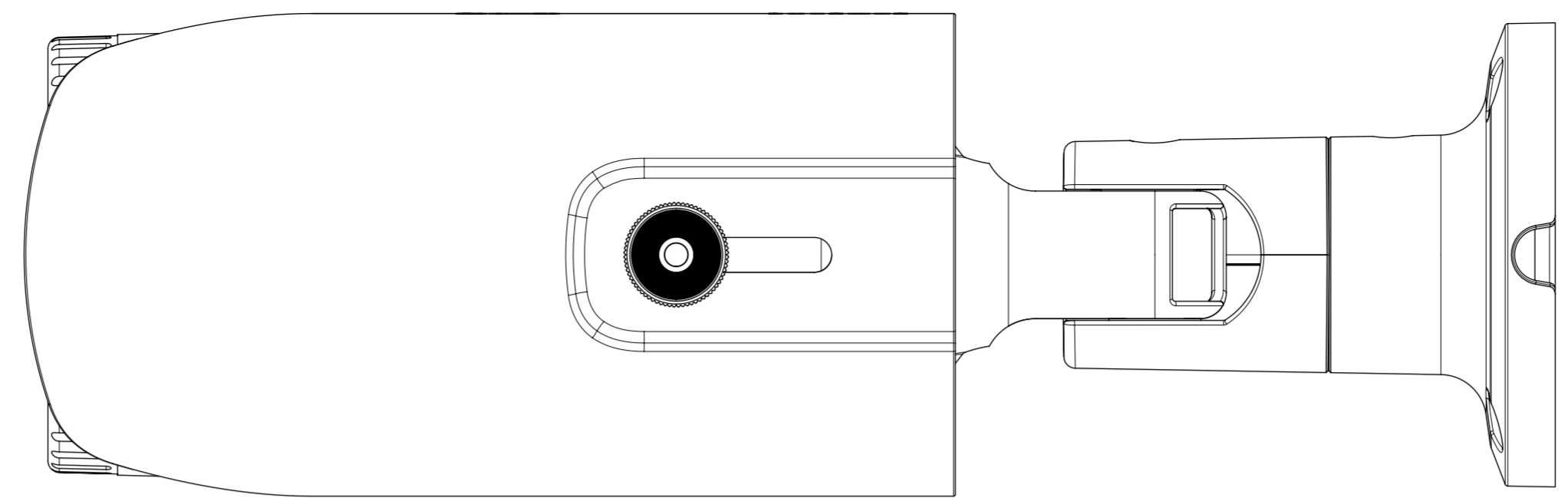


NO	PART NAME	CODE NO.	MATERIAL	Q'TY	REMARK
	APPEARANCE SCO-6083R	-	MATERIAL	-	REMARK



This parts should not contain any substances which are specified in OQA-2049

STANDARD TOLERANCE					
DIV	Int 1	Int 2	Int 3	Int 4	Int 5
0-16	+0.05	+0.1	+0.1	+0.2	+0.3
16-63	+0.05	+0.1	+0.2	+0.3	+0.4
63-250	+0.1	+0.2	+0.3	+0.4	+0.4
250-1000	+0.2	+0.3	+0.4	+0.5	+0.6

UNIT	mm [inch]	DESIGN	CHECK	APPROVAL
SCALE	1/1	Mu Yi	-	-
NODE	DIRECTORY	FILE NAME		

PART NAME	APPEARANCE SCO-6083R
CODE NO	-

F
E
D
C
B
A