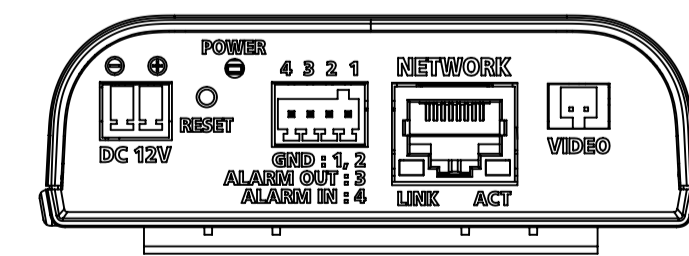
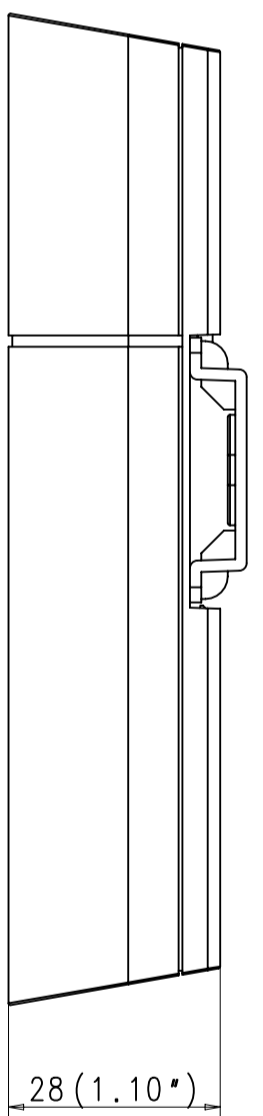
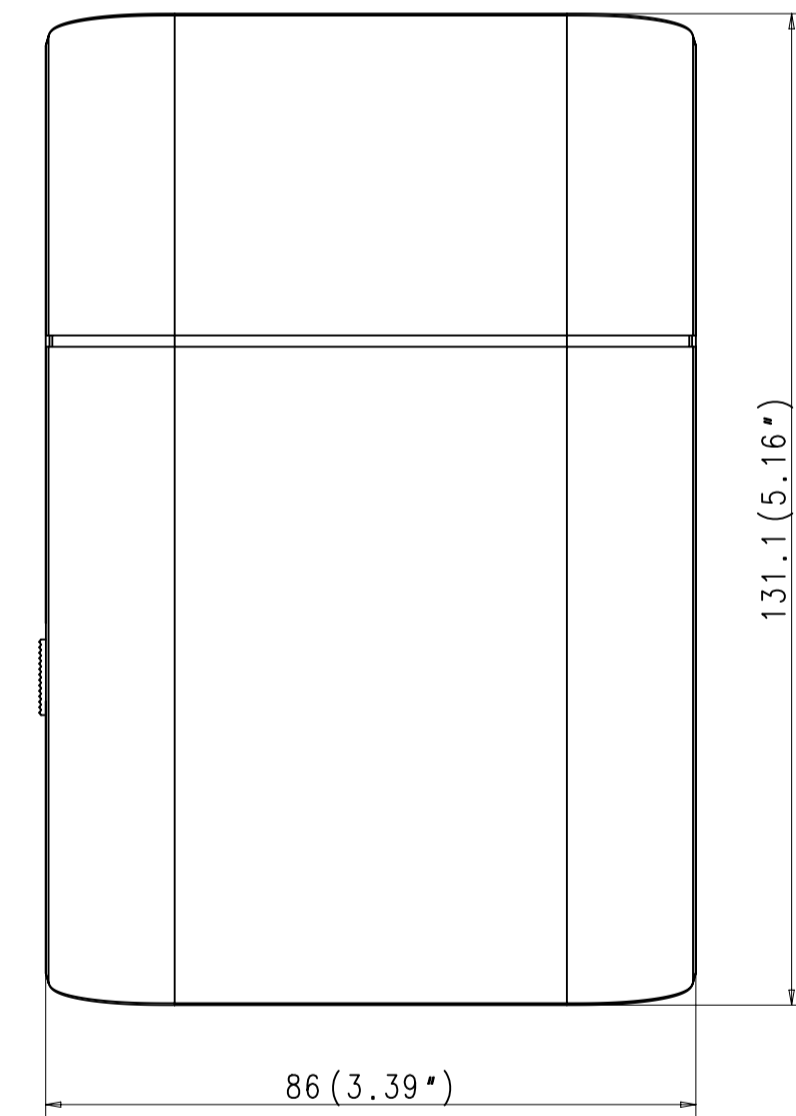
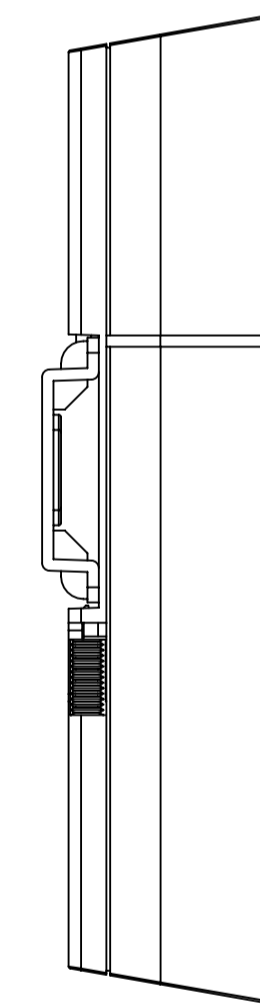
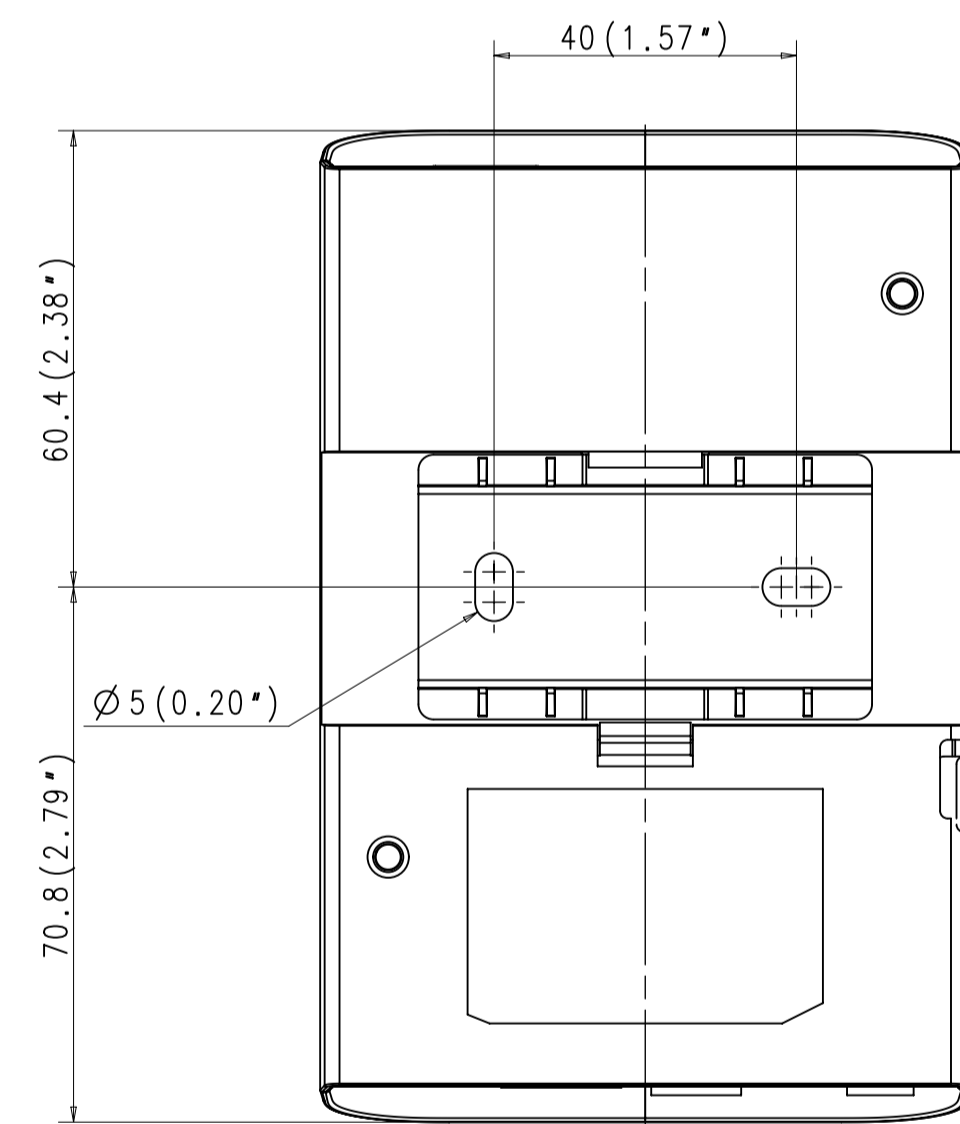
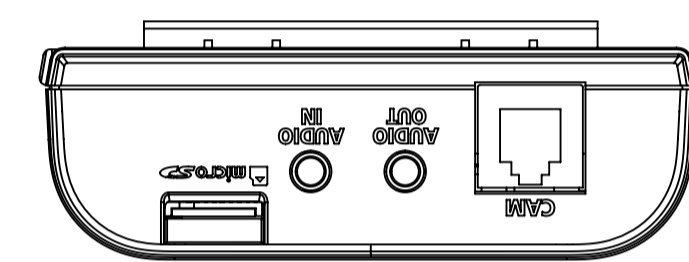
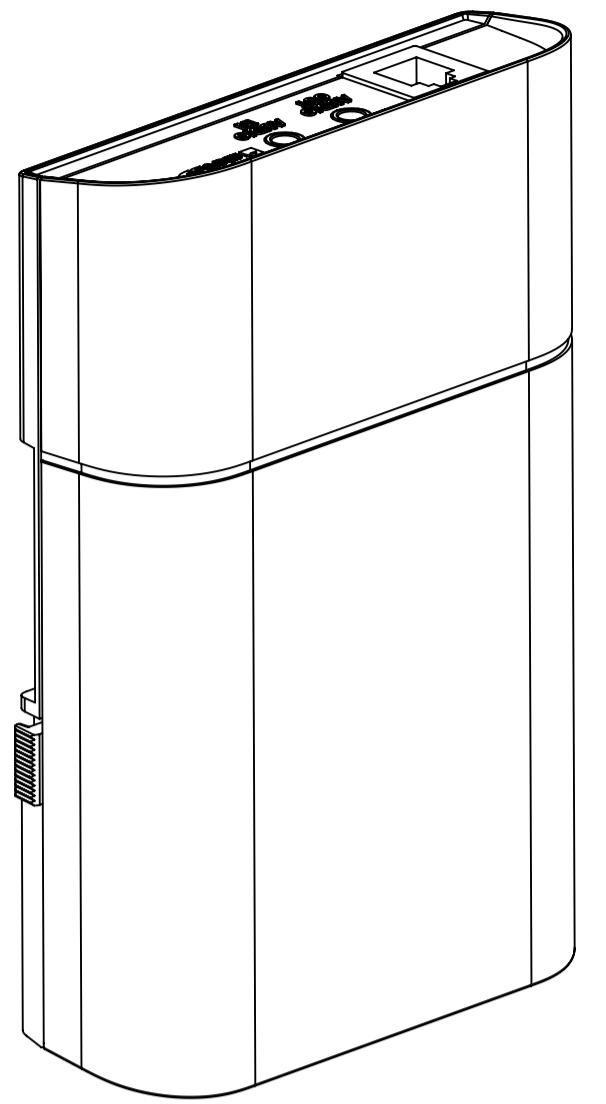
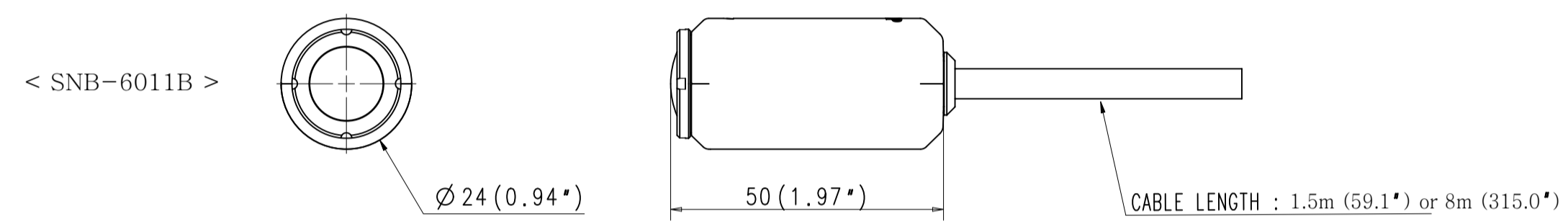
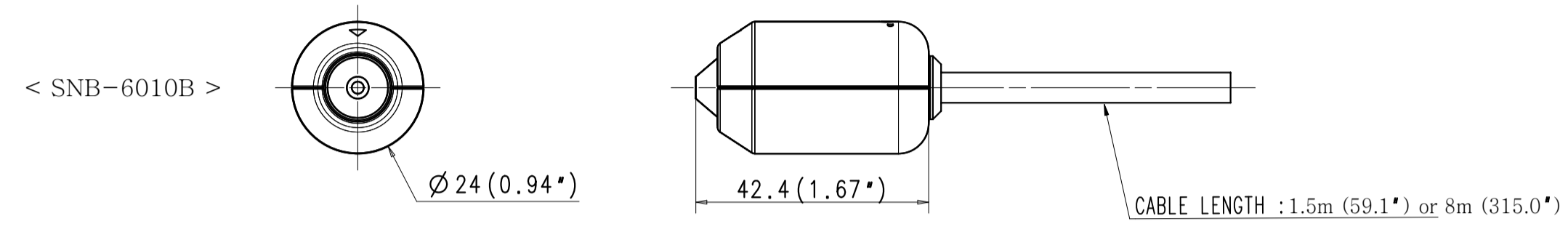
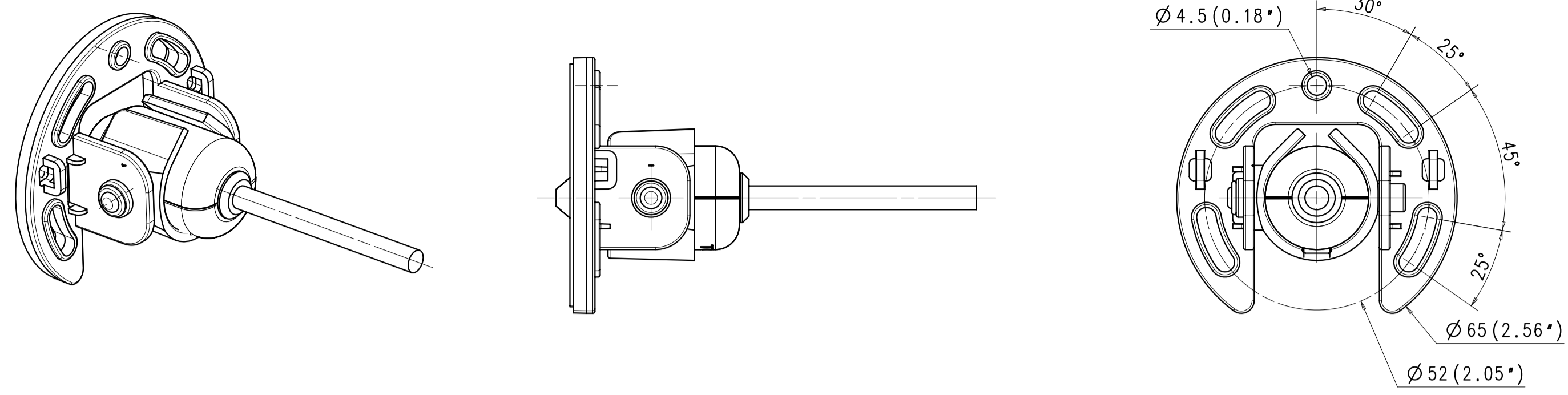


NO	PART NAME	CODE NO.	MATERIAL	Q'TY	REMARK
1	ASSY-SNB-6010B / 6011B	-	PC	1	-



< SNB-6011B / 6011B >

CHANGE
1

UNIT	mm	DESIGN	CHECK	APPROVAL	PART NAME	ASSY
SCALE	1/1	HTW	HTW	HTW	MODEL NAME	SNB-6010B / 6011B
		16.01.25	16.01.25	16.01.25	CODE NO.	-