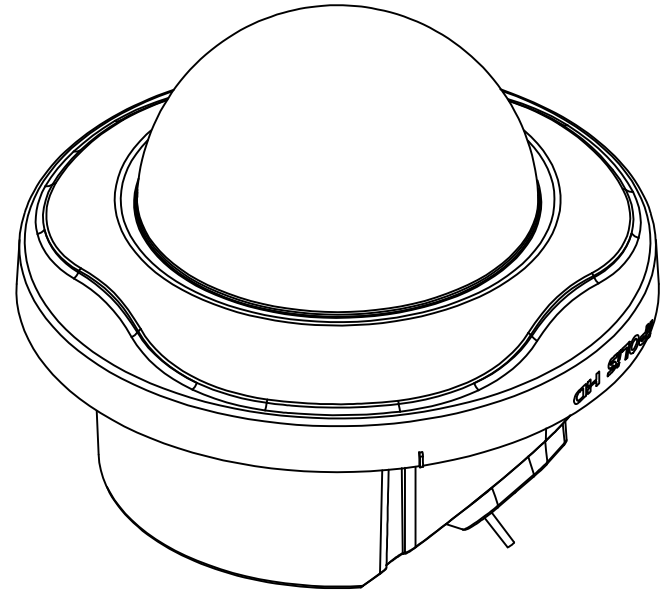
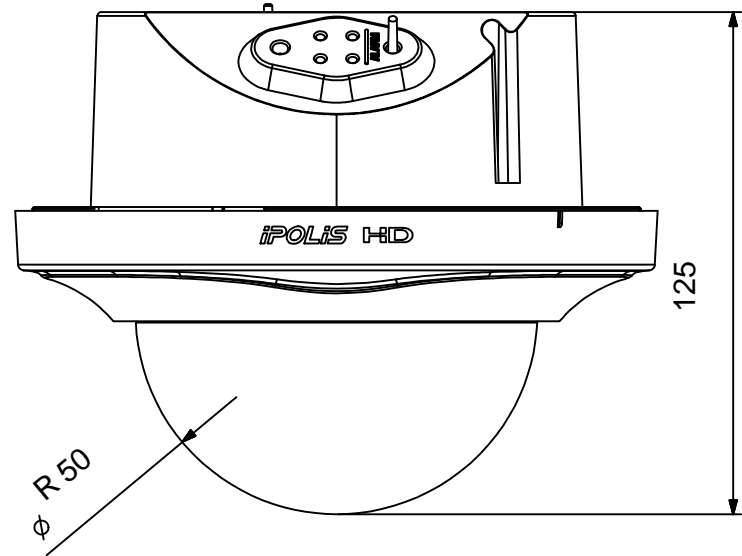


SND-5080F



NO.	PART NAME	CODE NO.	MATERIAL	QTY	REMARKS
1	CAMERA-AU-PART-NAME	CAMERA-AU-PART-NO.			