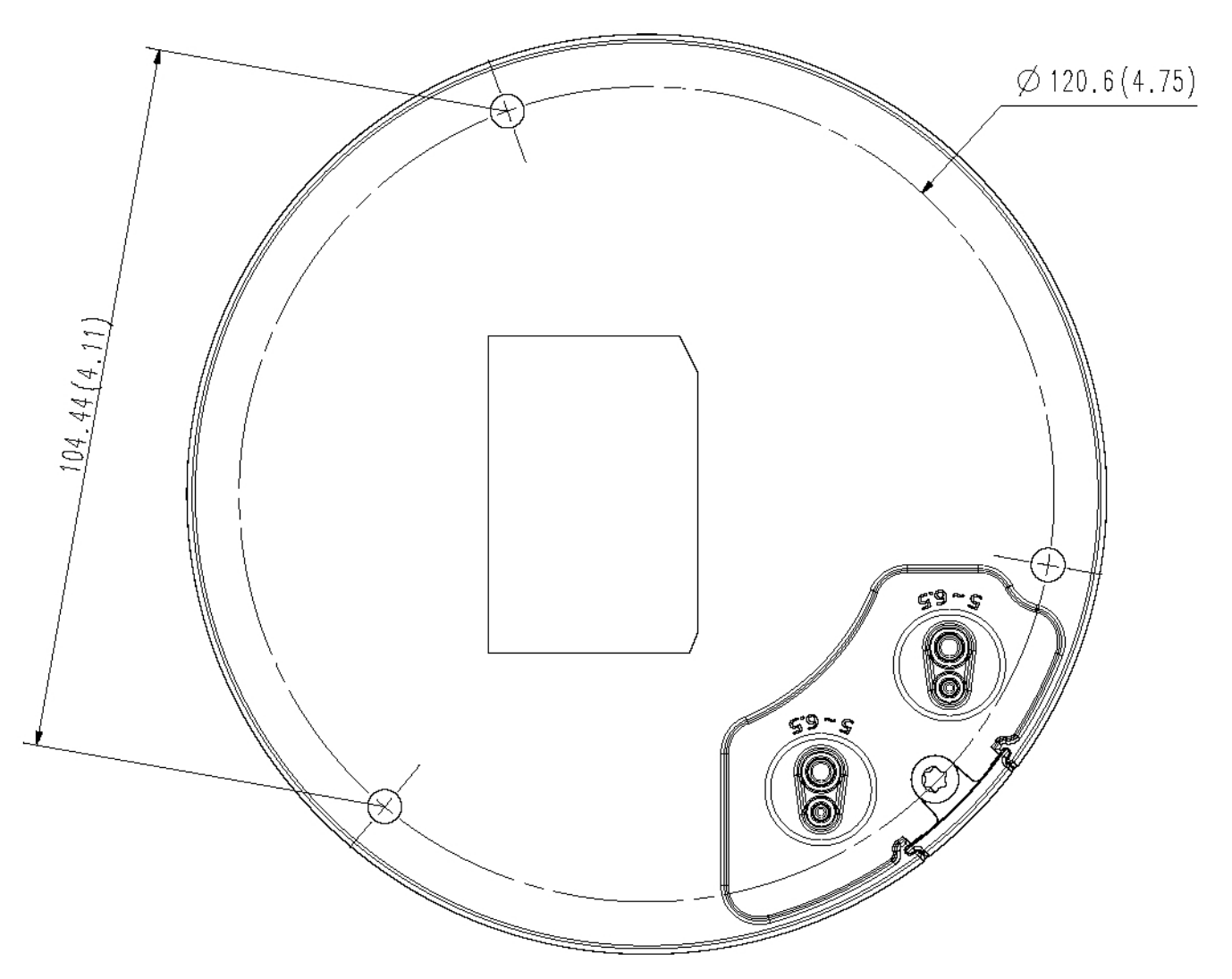
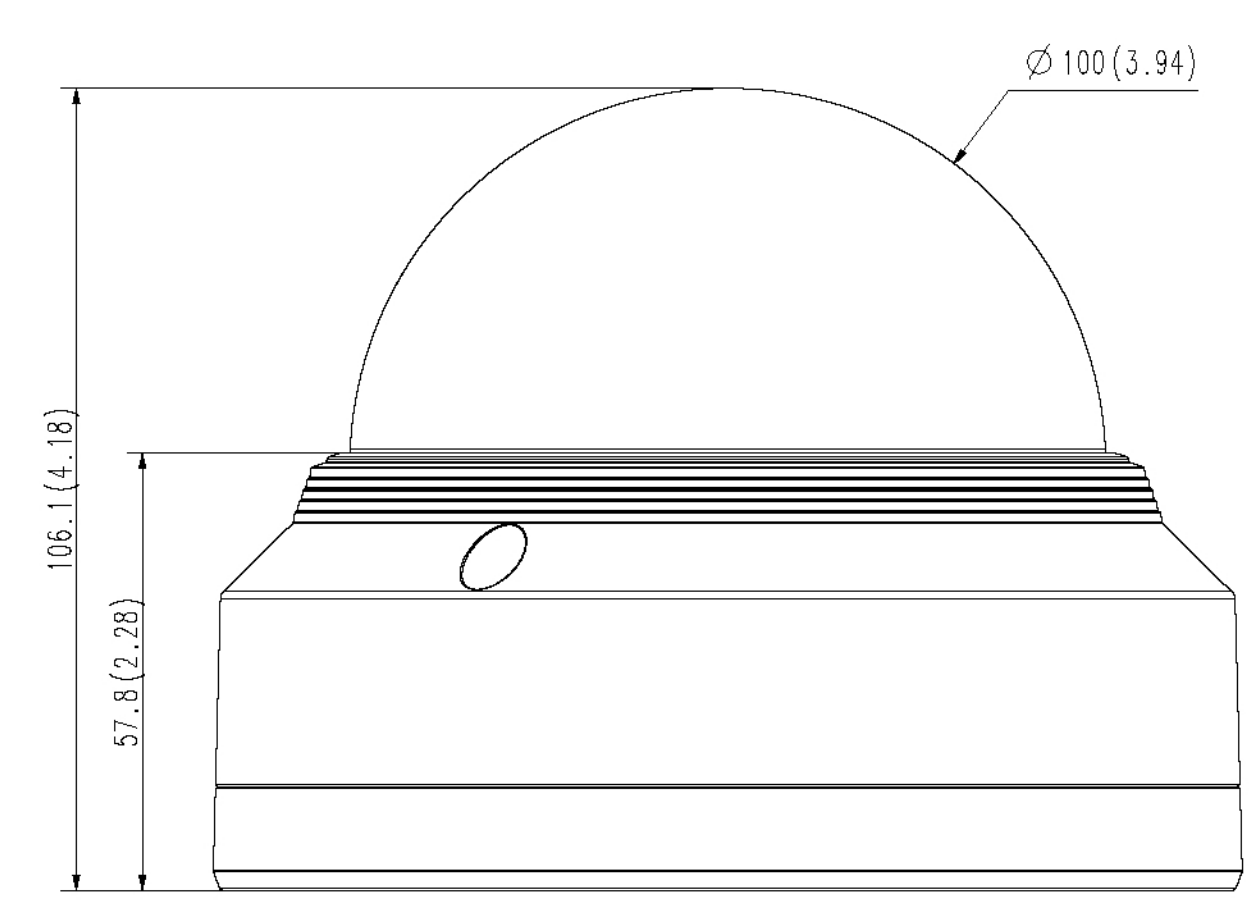
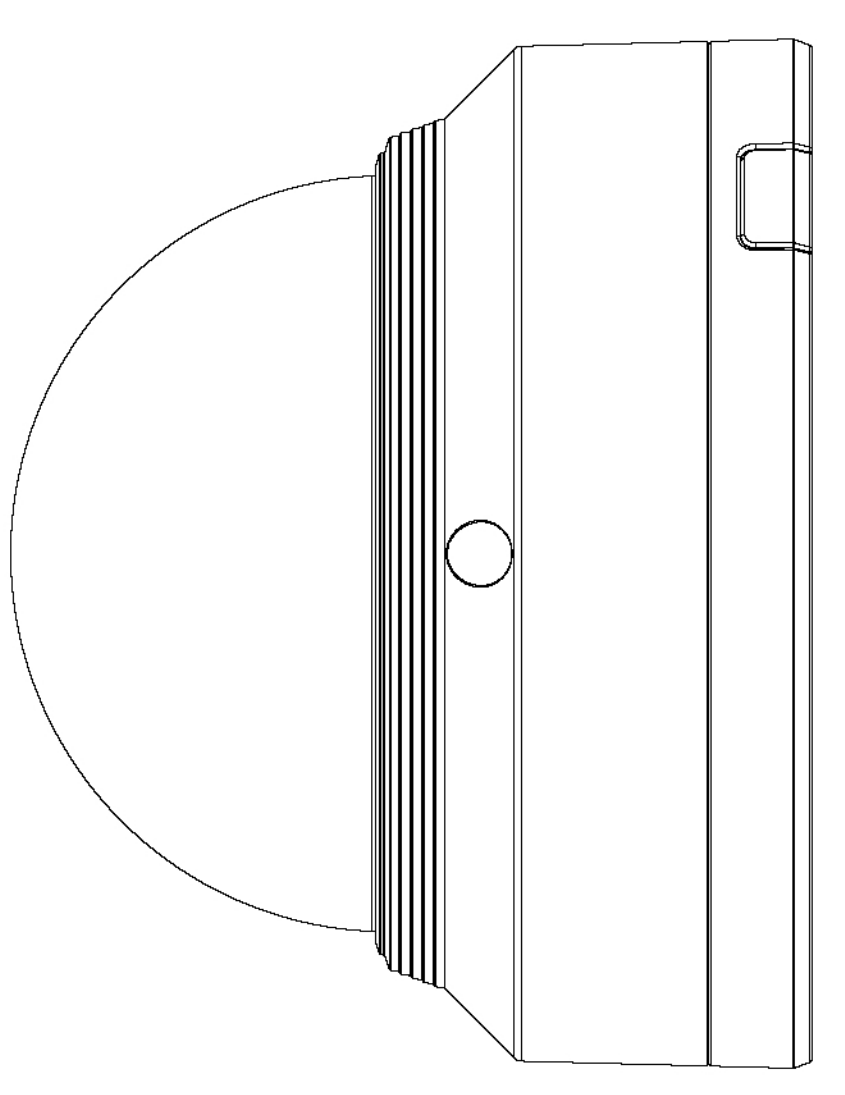
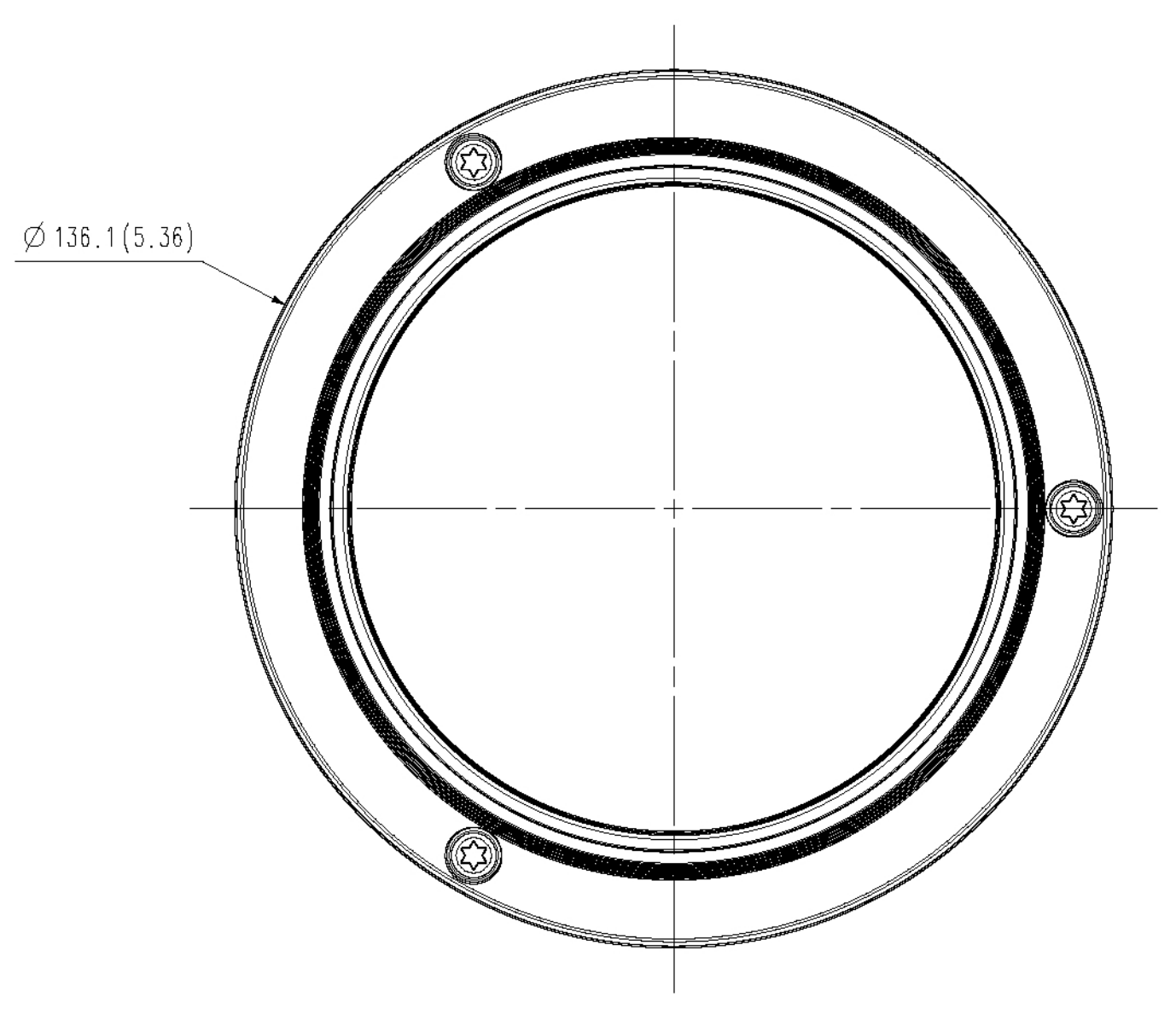
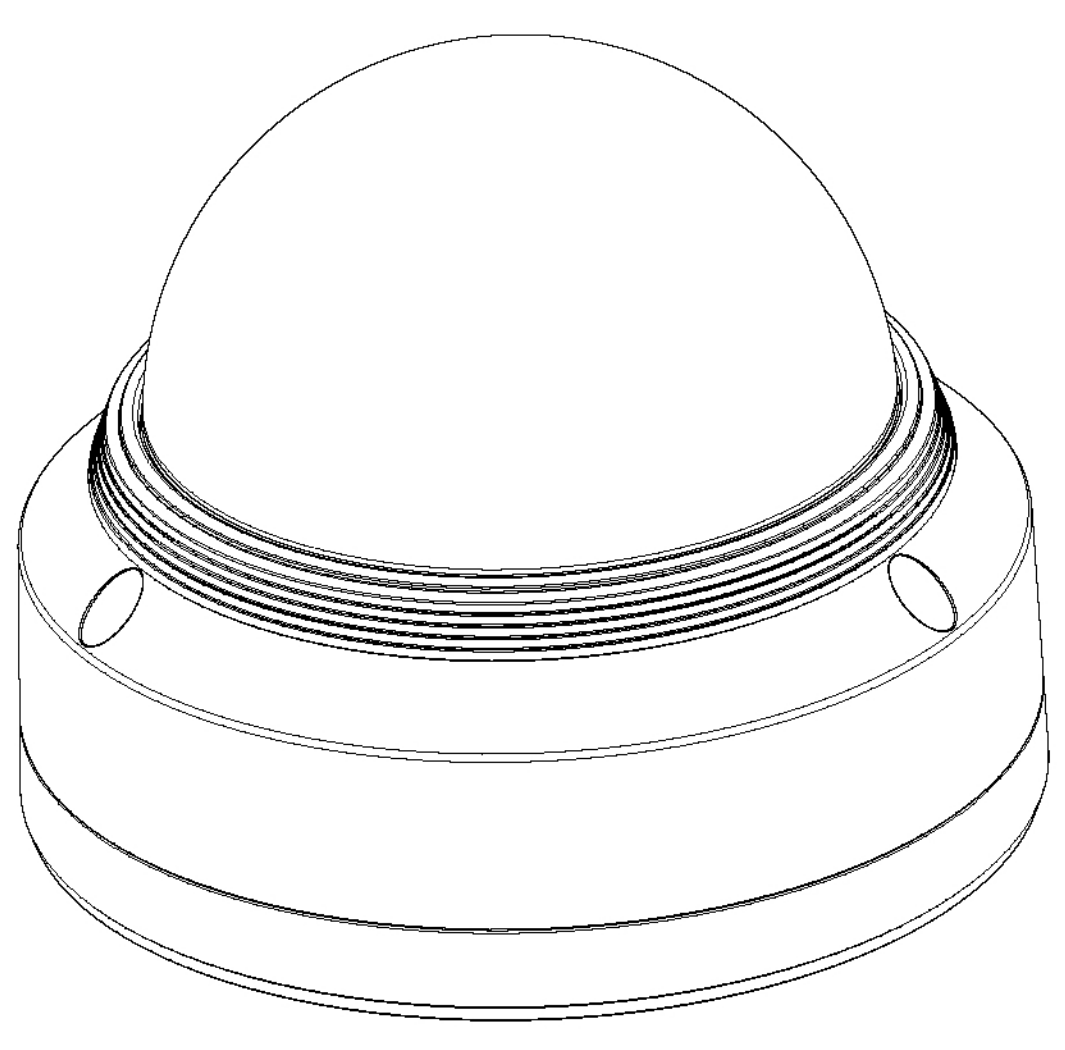
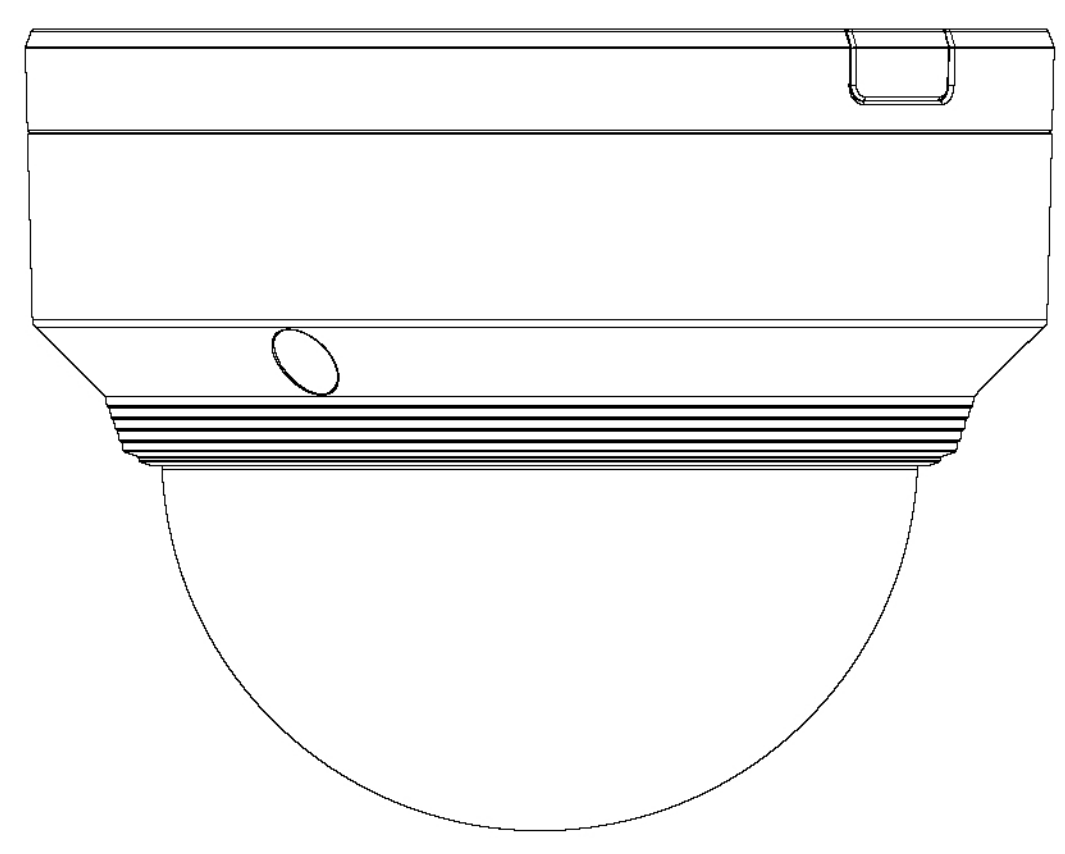


NO	PART NAME	CODE NO.	MATERIAL	Q'TY	REMARK
1			MATERIAL	1	REMARK

단위:mm(인치)



CHANGE

UNIT	mm	DESIGN	CHECK	APPROVAL	PART NAME	ASSY_XNP-6040KHN
SCALE					MODEL NAME	XNP-6040KHN
					CODE NO.	

