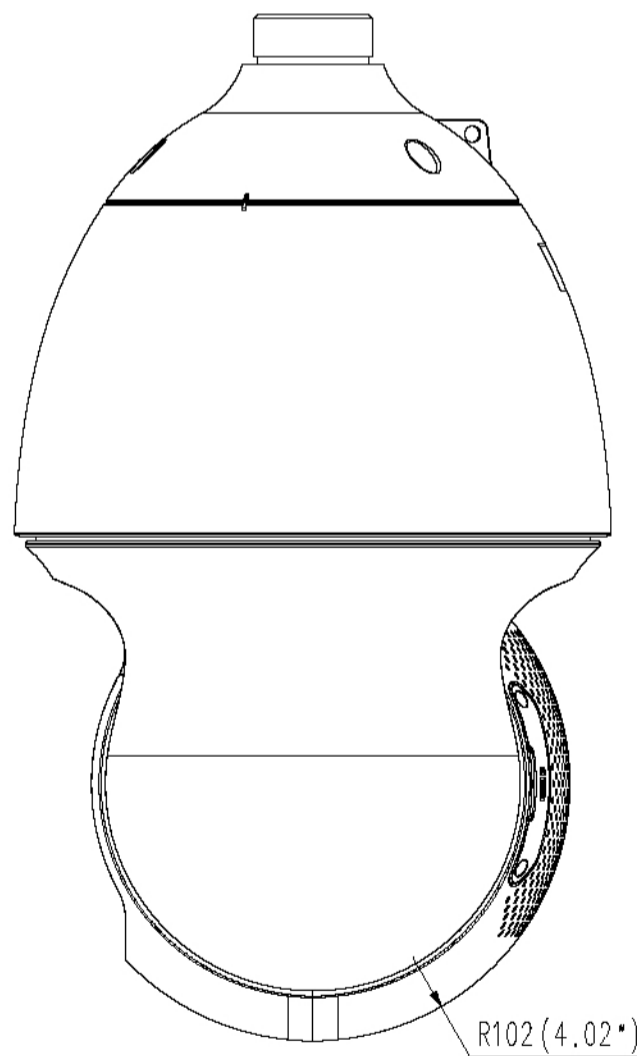
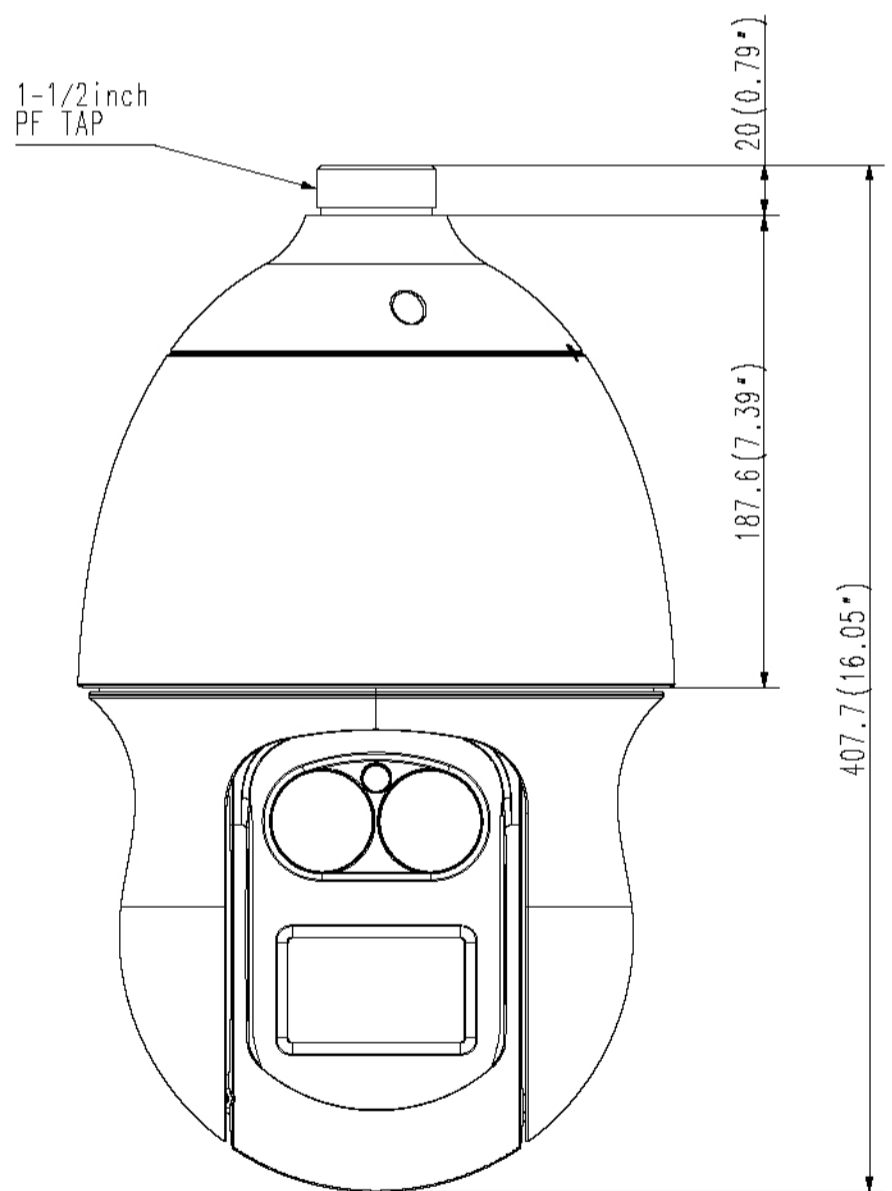
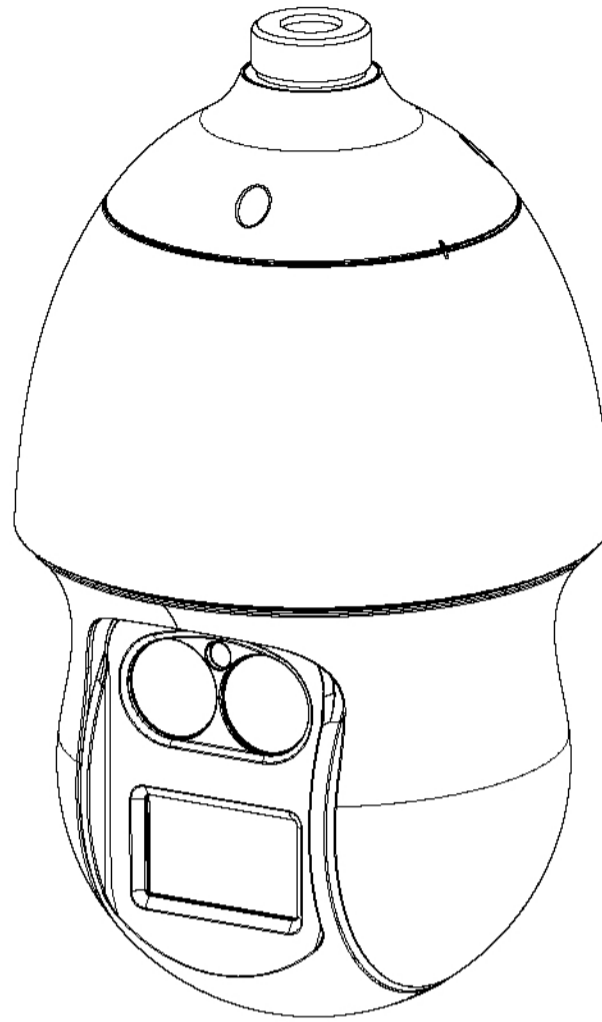
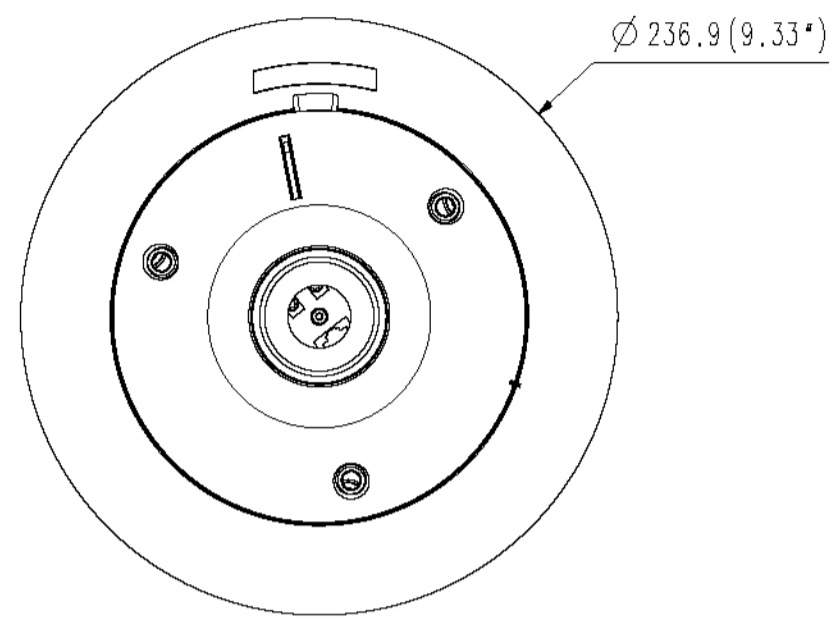


NO	PART NAME	CODE NO.	MATERIAL	Q'TY	REMARK
1	XNP-6370KRHN_Camera_Total_Assy	-	MATERIAL	1	REMARK

단위 : mm(인치)



STANDARD TOLERANCE

DIV	Lvl 1	Lvl 2	Lvl 3	Lvl 4	Lvl 5
0-16	±0.05	±0.1	±0.1	±0.2	±0.3
16-63	±0.05	±0.1	±0.2	±0.3	±0.4
63-250	±0.1	±0.2	±0.3	±0.4	±0.4
250-1000	±0.2	±0.3	±0.4	±0.5	±0.6

A2
CHANGE

UNIT	mm	DESIGN	CHECK	APPROVAL	PART NAME	XNP-6370KRHN_Camera_Total_Assy
		Design	Check	Approval		
SCALE	1/1	15.08.01	15.08.01	15.08.01	CODE NO.	-